



LLANHARAN COMMUNITY COUNCIL

Minutes of the Council meeting held by remote attendance, 7pm on Thursday 16th December 2021.

The meeting was held in accordance with:

The Local Government and Elections (Wales) Act 2021

Members Present:

Councillors; Chris Parker (Chair), Rob Lewis-Watkin JP (Deputy Chair), Roger Turner, Geraint Hopkins, Barry Stephens JP, Will Thomas, Janine Turner, Pam Uppal.

Apologies: Cllrs Helen Donnan, Jeff Williams, Rhys Jenkins.

Absent: Cllrs Helen Donnan, Serkan Aksin, Jeff Williams, Daniel Morelli, Parmindra Pannu, Rhys Jenkins.

Clerk to the Council: Leigh Smith

Office Administrator: Christina Badham

1 member of the public.

2021/158 Welcome and Apologies.

Apologies for absence were received from Cllrs Helen Donnan, Jeff Williams and Rhys Jenkins.

2021/159 Disclosures of personal and/or prejudicial interests.

None

2021/160 Public speaking.

None



2021/161 Minutes of Ordinary Council meeting.

RESOLVED

The minutes for the meeting of the Council held by remote attendance at 7.00pm on Thursday 18th November 2021 were approved as a true and accurate record of proceedings.

2021/162 Matters arising.

None

2021/163 Action plan

The Council's action plan was noted.

2021/164 Income and expenditure for November 21 and spend v budget year to date.

Noted and approved.

2021/165 Police crime report.

The Police Crime Report was noted.

2021/166 Members reports

Cllr Geraint Hopkins

The footbridge across the railway on Bridgend Road will be removed on Christmas night and over boxing day. The road bridge will also be closed and so there will be no access for all of boxing day. This date has been chosen as the quietest time to carry out the work and to coincide with Network rail stopping rail traffic. I am pleased that work is proceeding.

Cllr Roger Turner

Following complaints from local residents about persistent dog fouling along the lane to the rear of William Street in Brynna. Extra signage has been placed from McColls stores all the way to the entrance of Brynnau school. This has been an ongoing issue and Council officers have visited the lane on a number of occasions in the past to clean up and in an attempt to catch the offenders as this is a well-used route to the school. It is hoped that extra signage might have some impact.



Cllr Will Thomas

A number of residents have complained about traffic queuing on the square due to the lights sometimes mounting the pavement in order to squeeze past and causing a danger to pedestrians. Specifically, traffic coming down Hillside Avenue and wanting to turn left towards Talbot Green. I will make enquiries with RCT to see if an obstacle such as a planter can be placed there to discourage this.

Cllr Barry Stephens

Recently an elderly resident stumbled off the narrow path leading towards the Church alongside the high Corner pub. I am making enquiries to see if the hedge can be cut which is exacerbating the problem of the narrow path.

I am also making enquiries regarding the possibility of moving the traffic calming island leading westwards into Brynnau Gwinion. I am enquiring as to whether it can be moved slightly eastwards and if it can have better lighting as it has been struck by a car and this has happened on a number of occasions.

2021/167 Community asset transfer of Bryncae Community Centre *RESOLVED*

The Clerk to seek a solicitor with relevant experience to handle the CAT on behalf of the Community Council and to return to Council with findings before engaging formally.

2021/168 3 Year contract with Rialtos for 'year end' assistance. *RESOLVED*

To sign a 3 year contract with Rialtos for assistance with financial 'year end'.

2021/169 CIL funding of £400 for the installation of a Christmas tree support socket near St Peters Church, Brynna.

RESOLVED



To grant £400 from CIL funds for the installation of a Christmas tree support socket at St Peters Church, Brynna. To add to the CIL123 and Active project lists.

2021/170 CIL funding for replacement of lights on War Memorial

RESOLVED

To grant £720 from CIL funds for the replacement of lights at the War Memorial. To add to the CIL123 and Active project lists.

2021/171 Queen's Platinum Jubilee in June 2022

RESOLVED

The Community Council to mark the Queens Platinum Jubilee in principle. Ideas to be put forward to Council in future meetings.

2021/172 Planning

Noted without comment.

2021/173 Office Administrator banking administration.

RESOLVED

To authorise the Office Admin Assistant as a signatory to all banking accounts including online banking and the Public Sector Deposit Fund to allow her to administer the bank accounts and Fund, to initiate payments or authorise payments in accordance with the Financial Regulations.

2021/174 Credit cards

RESOLVED

To apply for a credit card for the Office Admin Assistant and to set monthly spend and transaction limits for The Clerk, Office Admin Assistant and Maintenance staff as per the recommendation.



2021/175 Exclusion of press and public.

RESOLVED

To agree that by virtue of the Public Bodies (Admission to Meetings) Act 1960, the press and public are excluded from discussion of agenda items 19, 20 and 21 on the basis that disclosure thereof would be prejudicial to the public interest by reason of the confidential nature of the business to be transacted

2021/176 Appointment of Office Admin Assistant as delegated.

Reports and documentation noted.

2021/177 Local authority pension scheme

RESOLVED

To grant permission to enrol the Office Admin Assistant onto the RCT local authority pension scheme.

2021/178 Meadow Rise encroachments.

Noted.

2021/179 Urgent matters

None.

There being no further business the meeting closed at 7.59pm

Councillor Chris Parker
Chair of the Community Council



LLANHARAN COMMUNITY COUNCIL

Minutes of the Council meeting held by remote attendance, 7pm on Thursday 18th November 2021.

The meeting was held in accordance with:

The Local Government and Elections (Wales) Act 2021

Members Present:

Councillors; Chris Parker (Chair), Rob Lewis-Watkin JP (Deputy Chair), Roger Turner, Geraint Hopkins, Barry Stephens JP, Rhys Jenkins, Will Thomas, Janine Turner, Helen Donnan.

Apologies: Cllr. Pam Uppal.

Absent: Cllrs Serkan Aksin, Pam Uppal, Jeff Williams, Daniel Morelli, Parmindra Pannu

Clerk to the Council: Leigh Smith

1 member of the public.

2021/142 Welcome and Apologies.

Apologies for absence were received from Cllr Pam Uppal.

2021/143 Disclosures of personal and/or prejudicial interests.

Cllr Geraint Hopkins declared an interest as a Trustee of LCDP. Cllr Roger Turner declared an interest as President of Brynna and Bryncae football clubs. Cllr Barry Stephens declared an interest as a governor of Brynnau Primary school. Cllr Chris Parker declared an interest as a governor of Brynnau primary school. Robert Lewis Watkin declared an interest as chairman of Brynna Football club.

2021/144 Public speaking.

None



2021/145 Minutes of Ordinary Council meeting.

RESOLVED

The minutes for the meeting of the Council held by remote attendance at 7.00pm on Thursday 22nd October 2021 were approved as a true and accurate record of proceedings.

2021/146 Matters arising.

None

2021/147 Update on delegated resolutions of the HR Committee held on Monday 1st November 2021.

Noted

2021/148 Recommendations of CIL Committee

RESOLVED

To approve CIL application from LRGT to install dugouts at the football pitch. To move to phase 1 of the CIL123 list and to the Active project list and to approve the project at a cost of £2700 (net) subject to the receipt of updated quotes and the appropriate financial information being received and scrutinised to the satisfaction of the Clerk.

RESOLVED

To proceed with the project LCC 19/01 – Floodlights on LRGT rugby pitch at a budget cost of up to £43,087

RESOLVED

To approve CIL application from Brynnau Primary School to install and outdoor classroom/play area. To move to phase 2 of the CIL123 list and to the Active project list and to approve the project at a cost of £60,000 (net).



RESOLVED

To approve CIL application from LCDP for improvements to pathway outside LCDP office. To move to phase 1 of the CIL123 list and to the Active project list and to approve the project at a cost of £1200(net) subject to the receipt of the appropriate financial information being received and scrutinised to the satisfaction of the Clerk. This application is recommended pending RCTCBC's decision on LCDP's eligibility for CIL funding.

RESOLVED

That with regards to the LCDP CIL Application for improvements to pathway outside LCDP office, LCDP be encouraged to include the potential project 'Install suitable disabled access ramp' to this project and to obtain fresh quotes.

Any application will be held pending RCTCBC's decision on LCDP's eligibility for CIL funding

RESOLVED

The Clerk to carry out a project to identify suitable locations for further defibrillators and associated equipment.

RESOLVED

To add the following projects on the Active Project list and CIL123 list in phase 1 and authorise the spend.

- i. To Carry out works to provide power to the new Christmas tree site an Ynysmaerdy. Est cost £2,675.
- ii. To carry out works to provide power to the new wall mounted Christmas tree brackets at the new locations. Est cost £2,100.

2021/149 Action plan

The Council's action plan was noted.



2021/150 Income and expenditure October 21.

Noted and approved.

2021/151 Police crime report.

The Llanharan and Brynna Police Crime Report was noted.

2021/152 Members reports

Cllr Roger Turner

Confirmation that major upgrades will be made to the Tan Y Bryn play area and that a zip wire and 'kickabout' area with goalposts will be added to the Trens Place park. All work to be done in the current financial year.

Many of the bus shelters have now been replaced, program for the remaining shelters will be as follows:

25th November – Opposite Meadow Close (Oakbrook) and the entrance to Meadow Rise

26th November – Llanharri Road.

29th November – Old post office on the square in Llanharan.

30th November – Opposite Meadow rise.

1st December – Hillcrest.

6th December – Hillside Avenue.

Cllr Geraint Hopkins

A new fence will be installed around the playground part of the Oakbrook park to prevent dogs from entering the area.

Regarding the footbridge over the railway line. Chris Elmore MP and Andrew Morgan leader of RCTCBC have engaged with Network rail at a senior level and Network rail have pledged that they will remove the old footbridge as soon as possible and hope to fit a replacement by late spring 2022.

The light controlled pedestrian crossing proposed for Llanharan square referred to in previous meetings is moving forward. The statutory formal public consultation will be undertaken shortly with a view to installing a crossing adjacent to the corner shop ('Ian's shop').



Janine Turner

I recently met with Simon Pritchard from RCT highways at the entrance to Llanharan Rugby club to look at the condition of the private road across which pedestrians have to cross. He has agreed that a section of the road will be resurfaced to facilitate safe crossing and will ensure that access to the dropped kerbs is retained.

Chris Parker

An update on the Trenos railway crossing bridge. We are due to meet the second week of December. A reserved matters application has now been submitted for the housing development nearby, however there was no detail of the required earthworks required for the bridge. Persimmon have been informed by RCT that this detail must be included and the application will need to be amended accordingly.

Christmas lights will be erected by the end of week commencing 22nd November.

2021/153 Community asset transfer of Bryncae Community Centre
Deferred to a future meeting pending decision from RCT

2021/154 Nomination for One Voice Wales' Bridgend/RCT/Merthyr Community & Town Council representative on Cwm Taff Morgannwg UTB stakeholders reference group (Bridgend/RCT/Merthyr area).

RESOLVED

To nominate Councillor Helen Donnan for the position.

2021/155 Planning application 19/1258/16 (Reserved matters).New Primary School and associated infrastructure at Former Opencast Coal Site Llanilid

RESOLVED

The Clerk to submit a formal response with the following details:

- Question whether there are adequate drop off spaces provided.



- Question whether the traffic entrance to the school from the A473 might warrant traffic control such as part time traffic lights given the amount of potential traffic at peak times and the fact that the road will also serve the housing estate. There is concern that for vehicles approaching from the west and turning right into the school/estate there could be congestion caused.
- Question whether consideration might be given to providing public access to the pond areas.

2021/156 Planning

Noted without comment.

2021/157 Urgent matters

Council were informed that RCT had mandated that the Community Council take action to remove some large trees causing a narrowing of the carriageway at Gellifedi Road. The costs could potentially run in to the several thousands of pounds.

There being no further business the meeting closed at 8pm

Councillor Chris Parker

Chair of the Community Council



Llanharan Community Council Action Plan

Action no	Category	From	Action	Notes	Status	Owner
131b	Full Council	ORA	Arrange persimmon to install benches on new road	Sites now decided upon. Awaiting timing of fixing benches. Benches purchased, awaiting persimmon.		LS
2020/232h	Full Council	ORA	That a draft leaflet/factsheet be produced containing information outlining the rights and responsibilities of landowners, RCT, The Community Council and members of the public.	To be progressed once ROW database progress made.		LS
2020/2321	Full Council	ORA	That a draft leaflet/factsheet be produced containing information on popular or interesting walking routes around the community.	To be progressed once ROW database progress made.		LS
2020/107	Full Council	Full Council	Jan full council action - 2020/107 Public Speaking a) A member of the public requested to speak on a matter arising from item 8 – Budget 2021-22 - hanging baskets, planters and Christmas lights. RESOLVED That Officers of the Council will discuss with businesses, in order to gauge public interest in sponsoring council xmas lights.	Not started. This action to be deferred to next year.		LS
2020/111	Full Council	Full Council	RESOLVED - That councillors should be presented with a possible decrease of 1% of precept for consideration at next years council precept meeting.	New year 2022		LS
2020/118	Full Council	Full Council	Jan - Full Council action - 2020/118 CorrespondenceThe meeting noted a letter received from a local resident, listing suggestions for possible uses of a piece of land at the bottom of Harold Street, Llanharan. RESOLVED - a) To commission a survey requesting ideas for future usage of the land. b) To follow up with RCT regarding the possibility of the Community Council purchasing or leasing the land.	a) Cannot proceed with survey until land purchase progresses. b) Emailed RCTCBC in May - Response that no decision yet made.		LS
2020/231	Full Council	Full Council	RESOLVED - Officers of the council to develop a Service Level Agreement in collaboration with the LCDP and to arrange annual reporting to members.	In progress		LS

2021/007	Full Council	ORA	<p>Public ROW RAN31/1</p> <p>The owners of Garth Uchaf farm have been contacted to see if a suitable alternative route can be identified on their land to avoid the blocked section of path. An alternative route has been agreed with the landowner. The Acting Clerk to check Land registry documents to ensure the alternative route is on land under the same ownership and to liaise with RCTCBC and the Owner of Garth Isaf to finalise an alternative route.</p>	RCT progressing with landowners Draft agreement agreed.		LS
2021/007	Full Council	ORA	<p>The ROW database to be made available for members to access and update with suitable controls.</p>	Not started.		LS
192	Full Council	ORA	<p>Waymarkings/Roadsigns</p> <p>RCT Rights Of Way have provided a number of waymarkers. LCC to approach RCTCBC for a discussion on purchasing (or contributing towards purchasing) a batch of highway signs when we have identified a batch to be completed.</p>	<p>ID a batch and recommend to committee</p> <p>A list has been sent to RCT. Further work to id the next batch is required.</p>		LS
2021/007	Full Council	ORA	<p>Recommended – That priority of those added to waiting lists be given in the following manner:</p> <p>i. Those living inside the boundary of the Community Council area who are not existing plotholders.</p> <p>ii. Those living inside the boundary of the Community Council area who are existing plotholders.</p> <p>iii. Those living outside of the boundary of the Community Council area but within 3 miles of the boundary who are not existing plotholders.</p> <p>iv. Those living outside of the boundary of the Community Council area but within 3 miles of the boundary who are existing plotholders.</p> <p>v. Those living further than 3 miles from the boundary of the Community Council area would not be added to the waiting list.</p>	<p>To be codified and distributed to interested parties - Add to next years tenancy agreement as well as action relating to swapping of plots.</p>		LS

2021/007	Full Council	ORA	the management of barren allotment plots. Recommended – That RCTCBC and Llanharan Horticultural Society be consulted to see what expertise they have in terms of returning barren plots to a growing condition.	Not started. No current unlet barren plots.		LS
217	General	General	Speak to landowner nant y dwrgi - To maintain. (find out who owns it) Check if we can use for wildflower etc...	Janine		LS
2021/053	Full Council	ORA	ORA2021/025 Footpath to the north of Talyfan Road (RAN 6/1) Recommended – The Project Officer/Assistant Clerk to obtain quotes to infill the damaged section of the path with suitably sized aggregate to provide stability and drainage.	Met affected landowners in October 21. Quotes and a design now required.		LS
2021/053	Full Council	ORA	ORA2021/026 Unofficial pathway on grass bank between Bridgend Road and Parc Bryn Derwyn. Recommended – Project Officer/Assistant Clerk to investigate registering this as a permitted right of way. In particular with regards to landowners consent.	Not Started		LS
2021/053	Full Council	ORA	ORA2021/027 Footpath north of the newly installed path to the north of Llanharan Cemetery. (PSM53/2) Recommended - Project Officer/Assistant Clerk to approach RCTCBC to enquire whether a joint approach/cost share could be agreed to carry out repairs.	Written to RCTCBC to enquire on a joint approach. 13.7.21 RCTCBC have responded verbally indicating that they would be open to sharing the Cost. project Officer to obtain an estimate.		LS
2021/053	Full Council	ORA	ORA2021/030 Consider RAN32/1 at Parc Bryn Derwyn. Recommended - Project Officer/Assistant Clerk to approach RCTCBC to resolve this obvious mistake.	Not started		LS
2021/053	Full Council	ORA	Recommended - Project Officer/Assistant Clerk to approach the developer to check whether they hold any paperwork from a historical diversion order.	Not started		LS
2021/053	Full Council	ORA	ORA2021/031 Consider PSM32/1 near Gellifedi Road Recommended - Project Officer/Assistant Clerk to enquire with RCTCBC whether a diversion order was ever submitted and/or processed.	Written to RCTCBC on 13.7.21 and again in August 21.		LS
2021/053	Full Council	ORA	ORA2021/034 Benches along A473 to Talbot Green Recommended – That the Project Officer/Assistant Clerk proceed with the fitting of the 2 benches.	Completed		LS

2021/053	Full Council	ORA	ORA2021/035 Steps in the alley between Bridgend Road and Parc Bryn Derwyn. Recommended – That the Project Officer/Assistant Clerk approaches the Land registry to discover the due process to claim ownership of the lane and steps so that the Community Council can maintain them.	Not Started		LS
2021/053	Full Council	ORA	ORA2021/036 Consideration of allowing existing allotment plot-holders to swap to more desirable plots as they become available before offering to new tenants on the waiting list Recommendation – To allow existing plot-holders to go onto the waiting list to move plots. However, they must take the next available plot when it is their turn on the waiting list. If they refuse the available plot then they drop to the bottom of the waiting list. Upon taking a new plot they must immediately vacate their current plot.	Add to next years tenancy agreement alson with waiting list hierarchy		LS
2021/077	Full Council	CIL	1. Potential project 11/20/32 “Dolau Primary School climbing/play area for key stage 2 pupils” to be added to phase 1 of the ‘CIL123 list’, added to the ‘Active Project list’ with a status of ‘Project approved and in progress’ with a value of £74,000 approved for spend.	Funds transferred		LS
2021/077	Full Council	CIL	3. Project LCC21/12. Llanharan Primary School, outdoor classroom. To be retained in Phase 1 of the ‘CIL 123 List’ and marked ‘Project approved and in progress’ on the ‘Active Project List’ with a value of £15,000 approved for spend.	£15,000 spend authorised. Applicant informed of decision. Awaiting request to transfer funds.		LS
	Full council	Audit	Order xmas lights and engage LML electrics as per Audit Committee A2021/011	Completed		LS
	Full Council		A2021/012 Recommended That an alternative venue be sought for this years display given that the Welfare field have quoted £500 for the use of the field	Completed		LS

	Full council	ORA	<p>ORA2021/041 Minutes Resolved</p> <p>The minutes of the ORA Committee meeting held remotely on Tuesday 8th June 2021 at 7.00pm were approved as a true and accurate record of proceedings subject to the following amendments to minute reference ORA2021/35</p> <p>Steps in the alley between Bridgend Road and Parc Bryn Derwyn</p> <p>To be changed to:</p> <p>Steps in the alley between Bridgend Road and Parc View</p>	Call 0345 070 9385 Ref 2131903 tender no. Emailed Michelle Cleverly 23.9.37		LS
	Full council	ORA	<p>ORA2021/045 Decorative sculptures</p> <p>Recommended</p> <p>That the artist be invited to a site meeting at Brynna Woods with members of the ORA Committee to discuss concepts and costs.</p>	Completed		LS
	Full council	ORA	<p>ORA2021/046 Purchase of further benches</p> <p>Recommended</p> <p>Project Officer/Assistant Clerk to order 3 new benches</p>	Completed		LS
	Full council	ORA	<p>ORA2021/047 Memorial Bench at Bridgend Road allotments</p> <p>Recommended</p> <p>That permission be given for a memorial bench to be erected at Bridgend Road allotments at a suitable location as indicated by the Project Officer/Assistant clerk</p>	In progress		LS
	Full council	ORA	<p>ORA2021/48 Security bond scheme for new allotment plot-holders</p> <p>Recommended</p> <p>That a security bond of £26 be collected from new allotment plot-holders and up to 3 months from the start of the tenancy be given to pay the bond in full.</p>			LS
	Full council	ORA	<p>ORA2021/049 Book-swap stations</p> <p>Recommended</p> <p>That the Project Officer/Assistant Clerk liaise with interested parties to develop a community plan showing where book swap stations could be placed, how they would be managed and what funds would be requested from the Community Council.</p>			LS

	Full council	ORA	Recommended That the Project Officer/Assistant Clerk liaise with interested parties to obtain designs and a price for a suitable outdoor cabinet to be sighted at Mountain Hare.			LS
2021/094	Full Council	Full Council	2021/094 Minutes of the Ordinary Council meeting held 15th July 2021 RESOLVED That the minutes for the meeting of the Ordinary Council meeting by remote attendance at 7.00pm on Tuesday 15th July 2021 were a true and accurate record of proceedings subject to the following amendment: That Councillor Will Thomas be recorded as present			LS
2021/097	Full Council	Audit	That up to £2250 from the Christmas Lights Budget is spent on the purchase of the necessary lights and ancillary equipment to facilitate the new premises and locations	In progress.		LS
2021/097	Full Council	Audit	That up to £2000 from Christmas Lights Budget is spent on the purchase of Christmas trees of varying heights to distribute to the listed businesses, community centres and community locations;	In progress		LS
2021/097	Full Council	Audit	That under the remit of the Financial Regulations V2.02 of this Council, LML Electrics are appointed as the contractor to oversee the installation of all the festival lighting and any necessary electrical works and that The Festive Lighting Co. Ltd be the sole supplier of any festive lighting and ancillary parts that are required for the remainder of the year 2021	In progress		LS
2021/097a	Full Council	ORA	RESOLVED (RE Decorative sculptures): That the artist be invited to a site meeting at Brynna Woods with members of the ORA Committee to discuss concepts and costs	Arranged for 24th Nov 21		LS
	Full Council	ORA	RESOLVED That a security bond of £26 be collected from new allotment plot-holders and up to 3 months from the start of the tenancy be given to pay the bond in full.	Amend tenacy agreements - See other actions.		LS
	Full Council	ORA	RESOLVED That the Project Officer/Assistant Clerk liaise with interested parties to develop a community plan showing where book swap stations could be placed, how they would be managed and what funds would be requested from the Community Council.			LS
	Full Council	ORA	RESOLVED That the Project Officer/Assistant Clerk liaise with interested parties to obtain designs and a price for a suitable outdoor cabinet (for a book swap station) to be sighted at Mountain Hare.			LS

	Full Council	ORA	RESOLVED That a working group be set up in order to carry out a feasibility study and costings on providing a pathway between approximately Terry's Way and the Black Path. Its members to be made up of the following: Cllrs Chris Parker, Helen Donnan, Geraint Hopkins, Jeff Williams. And Co-opted members of the ORA committee Mark Steer and Olle Wicks.			LS
2021/104	Full Council	ORA	2021/104 Fireworks display. Costs and venue options. RESOLVED 8 Page Council Minutes That in future years the display be put out to competitive tender.	Completed	Completed	LS
2021/104	Full Council	ORA	RESOLVED That Brynna Community Centre and fields be the venue for the 2021 display and that a payment of £85 be made in order to cover lost revenue.	Completed	Completed	LS
2021/105	Full Council	ORA	2021/105 Method of funding CIL LCC21/14 'RBL Poppy shed'. RESOLVED For Llanharan Community Council to purchase the container and arrange all ancillary works to the value of £19,500 (net) from CIL funds. The Community Council to pay and reclaim the VAT in the usual manner.			LS
2021/105	Full Council	ORA	RESOLVED The container to then be leased to the Llanharan branch of the RBL at a peppercorn rent for an appropriate period designed to reflect the useful life of the container (30 years).			LS
2021/105	Full Council	ORA	RESOLVED Furthermore, that all negotiations with interested parties be delegated to the Officers of the Council in order to produce an appropriate agreement or agreements to be presented before Council for resolution at a later date.			LS
2021/106	Full Council	ORA	RESOLVED To divert spend from project 'Provision of dropped kerbs, Hillside to Grove Terrace' (LCC21/15) to 'Memorial Garden and Garage' (LCC19/07&21/04). Up to a value of £5400 inclusive of VAT.		Completed	LS
2021/106	Full Council	ORA	RESOLVED to increase the budget of 'Memorial Garden and Garage' (LCC19/07&21/04) by £10,981 (inclusive of VAT) as a result of works required to meet RCT Sustainable drainage (SuDS) requirements	Check final costs . Awaiting SUDS permission.		LS
2021/107	Full Council	ORA	2021/107 Funding Bryncae Arms footpath (Ran 17/5 and RAN 17/6) RESOLVED To approve the budget of £8000* for the project out of CIL funds. To move the project to the CIL123 list and the Active project list with permission to proceed	Project complete	Completed	LS
2021/108	Full Council	ORA	2021/108 Foodbank and 'The Pantry' RESOLVED To continue funding the foodbank at current levels. For the Community Council to 'take on' 'The Pantry'.	Cllr J Turner to advise on subsequent conversations with Fairshare. And to provide detail on requirements.		LS

2021/133	Full Council		RESOLVED The Clerk to investigate what is required to allow Hybrid meetings in the future. The investigation to include equipment and venues and attending a Hybrid meeting of another similarly sized Community Council if possible.	Take Councillor Rhys Jenkins for technical advice		LS
2021/134	Full Council		2021/134 Formal reopening of Community Council Office RESOLVED For the Clerk to prepare a bespoke risk assessment regarding the safe re-opening of the Council office. For the requirements of this risk assessment to be circulated to Councillors and the public and posted at the office and for the office to be reopened on that basis before the next full council meeting. The office to be reopened on the proviso that if Welsh Government guidelines change then a fresh risk assessment be carried out immediately. If such a risk assessment concludes that the risks are too high or that the interpretation of Government advice is such that the Clerk deems the office to be closed then the office shall be closed immediately and without notice.		Completed	LS
2021/138	Full Council	HR Com	2021/138 HR Support RESOLVED To delegate authority to spend up to the value of 10 hours of specialist HR support at a cost of £57/hour to the Clerk in relation to the particular issue discussed. And to Delegate authority to spend to the value of up to a further 10 hours at a rate of £57/hour to the HR Committee in relation to the same matter.			LS
2021/148	Full Council	CIL	RESOLVED To approve CIL application from LRGT to install dugouts at the football pitch. To move to phase 1 of the CIL123 list and to the Active project list and to approve the project at a cost of £2700 (net) subject to the receipt of updated quotes and the appropriate financial information being received and scrutinised to the satisfaction of the Clerk.	Ensure tracker updated LRGT informed grant available.		LS
2021/148	Full Council	CIL	RESOLVED To proceed with the project LCC 19/01 – Floodlights on LRGT rugby pitch at a budget cost of up to £43,087	Ensure tracker updated . LRGT informed grant available.		LS

2021/148	Full Council	CIL	RESOLVED To approve CIL application from Brynnau Primary School to install and outdoor classroom/play area. To move to phase 2 of the CIL123 list and to the Active project list and to approve the project at a cost of £60,000 (net).	Ensure tracker updated. School informed grant available		LS
2021/148	Full Council	CIL	RESOLVED To approve CIL application from LCDP for improvements to pathway outside LCDP office. To move to phase 1 of the CIL123 list and to the Active project list and to approve the project at a cost of £1200(net) subject to the receipt of the appropriate financial information being received and scrutinised to the satisfaction of the Clerk. This application is recommended pending RCTCBC's decision on LCDP's eligibility for CIL funding.	Obtain approval from RCT Update tracker accordingly when received and email. LCDP		LS
2021/148	Full Council	CIL	RESOLVED That with regards to the LCDP CIL Application for improvements to pathway outside LCDP office, LCDP be encouraged to include the potential project 'Install suitable disabled access ramp' to this project and to obtain fresh quotes. Any application will be held pending RCTCBC's decision on LCDP's eligibility for CIL funding	Obtain approval from RCT Update tracker accordingly when received and email. LCDP		LS
2021/148	Full Council	CIL	RESOLVED The Clerk to carry out a project to identify suitable locations for further defibrillators and associated equipment.			LS
2021/148	Full Council	CIL	RESOLVED To add the following projects on the Active Project list and CIL123 list in phase 1 and authorise the spend. i. To Carry out works to provide power to the new Christmas tree site an Ynysmaerdy. Est cost £2,675. ii. To carry out works to provide power to the new wall mounted Christmas tree brackets at the new locations. Est cost £2,100.	Update tracker		LS

Current and Premium Bank A/c
Payments made between 01/11/2021 and 30/11/2021

Nominal Ledger Analysis

<u>Date</u>	<u>Payee Name</u>	<u>Reference</u>	<u>£ Total Amnt</u>	<u>£ Creditors</u>	<u>£ VAT</u>	<u>A/c</u>	<u>Centre</u>	<u>£ Amount</u>	<u>Transaction Details</u>
02/11/2021	The Corner Shop	OLB	451.26			4720	550	451.26	Inv 00056 Autumn 1/2 Term
04/11/2021	Barclays Bank	DIRECT	9.75			4135	200	9.75	bank charges
08/11/2021	Tesco Mobile phones x 3	DIRECT	25.00		4.17	4075	200	20.83	Inv 233442951
18/11/2021	Festive Lighting	BACS	2,377.26		396.21	4505	400	1,981.05	Lights for Christmas Trees
18/11/2021	Festive Lighting	BACS	3,409.58		568.26	4505	400	2,841.32	2021 1year Hire
18/11/2021	JB Director's Trust	BACS	81.95			4210	220	81.95	Building Insurance (1/2 Share)
18/11/2021	3eric Averill	BACS	7,800.00		1,300.00	4951	750	4,619.00	Bryncae Arms Footpath
							322	-4,619.00	Bryncae Arms Footpath
						6000	750	4,619.00	Bryncae Arms Footpath
						4951	750	1,881.00	Bryncae Arms Footpath
							323	-1,881.00	Bryncae Arms Footpath
						6000	750	1,881.00	Bryncae Arms Footpath
18/11/2021	NBB Recycled Furniture	BACS	1,836.00		306.00	4530	400	1,530.00	3 x Benches - 2 x A473 - Talbo
							323	-1,530.00	3 x Benches - 2 x A473 - Talbo
						6000	400	1,530.00	3 x Benches - 2 x A473 - Talbo
18/11/2021	Gallagher	BACS	627.59			4205	220	627.59	Inv 511166960
22/11/2021	Days of Swansea	BACS	250.00			4400	300	250.00	Deposit
25/11/2021	Kevin Sayer	BACS	900.00			4950	750	900.00	fix 3 x benches
							323	-900.00	fix 3 x benches
						6000	750	900.00	fix 3 x benches
26/11/2021	SSE Electric	DIRECT	-97.38		-4.64	4080	200	-92.74	Inv 0035 - credit inv 0034
26/11/2021	SSE Electric	DIRECT	93.91		4.47	4080	200	89.44	Inv 0036 - Nov 21
29/11/2021	Riverlea	BACS	43.04		7.17	4415	300	35.87	Parts - Line & Autocut
29/11/2021	Riverlea	BACS	-43.04		-7.17	4415	300	-35.87	Inv 574177 - correction
29/11/2021	Barclaycard	nov cc	367.05				260	367.05	nov payment
Total Payments:			18,131.97	0.00	2,574.47			15,557.50	

Detailed Income & Expenditure by Budget Heading 13/12/2021

Cost Centre Report

	Actual Year To Date	Current Annual Bud	Variance Annual Total	Committed Expenditure	Funds Available	% Spent	Transfer to/from EMR
<u>100 Income</u>							
1076 Precept	198,736	199,428	692			99.7%	
1090 Investment Interest	37	300	263			12.5%	
1100 Agency Income	4,900	1,330	(3,570)			368.4%	
1900 Employment Allowance Income	4,324	0	(4,324)			0.0%	
1990 Other Income	68	0	(68)			0.0%	
Income :- Income	<u>208,065</u>	<u>201,058</u>	<u>(7,007)</u>			103.5%	<u>0</u>
Net Income	<u>208,065</u>	<u>201,058</u>	<u>(7,007)</u>				
<u>200 Administration</u>							
4000 Staff Salaries & Wages (Net)	30,458	65,000	34,542		34,542	46.9%	
4001 HMRC Interest Charges	16	0	(16)		(16)	0.0%	
4005 Employer & Employee Pension	9,446	13,455	4,009		4,009	70.2%	
4010 Employer & Employee NI & Tax	5,259	8,970	3,711		3,711	58.6%	
4055 Mileage & Subsistence	358	750	392		392	47.7%	
4060 Council Tax	2,247	2,400	153		153	93.6%	
4065 Office Rent	1,750	3,500	1,750		1,750	50.0%	
4070 IT Costs (Office 365)Web Site	1,764	2,000	236		236	88.2%	
4075 Telephone & Broadband	860	1,600	740		740	53.8%	
4080 Energy	638	1,500	862		862	42.5%	
4085 Water Rates (for Office)	71	200	129		129	35.6%	
4090 Stationery and postage	199	700	501		501	28.4%	
4095 Cleaning Materials	67	400	333		333	16.8%	
4100 Cleaning Contract	672	1,160	488		488	57.9%	
4105 Office Cap ExpChain of Office	0	2,000	2,000		2,000	0.0%	
4110 Office Maintenance	579	500	(79)		(79)	115.9%	
4115 Professional and Legal Fees	808	3,000	2,192		2,192	26.9%	
4116 Land Registry Fees	45	0	(45)		(45)	0.0%	
4120 Internal Audit Fees	(806)	450	1,256		1,256	(179.1%)	
4125 External Audit Fees	(450)	450	900		900	(100.0%)	
4130 Subscriptions and Memberships	1,253	2,000	747		747	62.6%	
4135 Bank Charges	88	100	12		12	88.0%	
Administration :- Indirect Expenditure	<u>55,322</u>	<u>110,135</u>	<u>54,813</u>	<u>0</u>	<u>54,813</u>	<u>50.2%</u>	<u>0</u>
Net Expenditure	<u>(55,322)</u>	<u>(110,135)</u>	<u>(54,813)</u>				
<u>220 Insurances</u>							
4200 General Insurance	3,476	3,500	24		24	99.3%	
4205 Vehicle Insurance	1,608	1,000	(608)		(608)	160.8%	
4210 Office Insurance	82	80	(2)		(2)	102.4%	
Insurances :- Indirect Expenditure	<u>5,166</u>	<u>4,580</u>	<u>(586)</u>	<u>0</u>	<u>(586)</u>	<u>112.8%</u>	<u>0</u>
Net Expenditure	<u>(5,166)</u>	<u>(4,580)</u>	<u>586</u>				

Detailed Income & Expenditure by Budget Heading 13/12/2021

Cost Centre Report

	Actual Year To Date	Current Annual Bud	Variance Annual Total	Committed Expenditure	Funds Available	% Spent	Transfer to/from EMR
<u>240 Staff & Member Training</u>							
4300 Members Training	45	500	455		455	9.0%	
4305 Staff Training	245	1,000	755		755	24.5%	
Staff & Member Training :- Indirect Expenditure	290	1,500	1,210	0	1,210	19.3%	0
Net Expenditure	(290)	(1,500)	(1,210)				
<u>260 Member's Allowances</u>							
4350 Chair	1,500	1,500	0		0	100.0%	
4355 Special Responsibility	500	500	0		0	100.0%	
4360 Member Allowances	1,500	2,110	610		610	71.1%	
Member's Allowances :- Indirect Expenditure	3,500	4,110	610	0	610	85.2%	0
Net Expenditure	(3,500)	(4,110)	(610)				
<u>300 Plant & Equipment</u>							
4400 Plant Purchase / Lease	250	7,000	6,750		6,750	3.6%	
4405 Bowser Maintenance	318	100	(218)		(218)	318.4%	
4410 Green Mower Maintenance	651	1,500	849		849	43.4%	
4415 Red Tractor Maintenance	397	1,200	803		803	33.1%	
4420 Portable & Hand Tools Purchase	454	2,000	1,546		1,546	22.7%	
4425 Portable & Hand Tool Maint	27	0	(27)		(27)	0.0%	
4430 PPE - New & Replacement	153	300	147		147	51.0%	
4435 Plant & Equipment Fuel	936	3,000	2,064		2,064	31.2%	
Plant & Equipment :- Indirect Expenditure	3,186	15,100	11,914	0	11,914	21.1%	0
Net Expenditure	(3,186)	(15,100)	(11,914)				
<u>400 Street Furnishings</u>							
4500 Hanging Baskets	11,534	10,100	(1,434)		(1,434)	114.2%	
4505 Christmas Lights and Trees	37,125	38,500	1,375		1,375	96.4%	
4510 Public Clocks - Maintenance	400	900	500		500	44.4%	
4515 Notice Boards - Maintenance	290	150	(140)		(140)	193.7%	281
4520 Bus shelter - Maintenance	549	500	(49)		(49)	109.8%	
4525 Planters - Maintenance	50	150	100		100	33.3%	
4530 Benches & Tables Maintenance	1,530	150	(1,380)		(1,380)	1020.0%	1,530
Street Furnishings :- Indirect Expenditure	51,478	50,450	(1,028)	0	(1,028)	102.0%	1,811
Net Expenditure	(51,478)	(50,450)	1,028				
6000 plus Transfer from EMR							1,811
Movement to/(from) Gen Reserve	(49,667)						

Detailed Income & Expenditure by Budget Heading 13/12/2021

Cost Centre Report

	Actual Year To Date	Current Annual Bud	Variance Annual Total	Committed Expenditure	Funds Available	% Spent	Transfer to/from EMR
<u>500 Community Functions</u>							
4600 Christmas Dinners	50	3,700	3,650		3,650	1.4%	
4605 Soup and Carols	0	170	170		170	0.0%	
4610 Firework Display	7,069	6,000	(1,069)		(1,069)	117.8%	
4615 Multi Cultural Carnival	0	2,000	2,000		2,000	0.0%	
4620 General Sponsorship	0	1,000	1,000		1,000	0.0%	
Community Functions :- Indirect Expenditure	7,119	12,870	5,751	0	5,751	55.3%	0
Net Expenditure	(7,119)	(12,870)	(5,751)				
<u>550 Grants</u>							
4700 General Grants	8,284	15,000	6,716		6,716	55.2%	
4710 LCDP - SLA	25,000	26,000	1,000		1,000	96.2%	
4715 Wild Life Trust - Brynna Woods	0	10,000	10,000		10,000	0.0%	
4720 Food Bank	4,062	5,850	1,788		1,788	69.4%	
Grants :- Indirect Expenditure	37,346	56,850	19,504	0	19,504	65.7%	0
Net Expenditure	(37,346)	(56,850)	(19,504)				
<u>600 Outdoor Spaces</u>							
4800 Rights of Way	4,980	1,500	(3,480)		(3,480)	332.0%	
4805 Skateboard Park - Maintenance	0	500	500		500	0.0%	
4810 Play & O/Spaces Maintenance	7	1,000	993		993	0.7%	
4815 General Repair Consumables	84	0	(84)		(84)	0.0%	
Outdoor Spaces :- Indirect Expenditure	5,072	3,000	(2,072)	0	(2,072)	169.1%	0
Net Expenditure	(5,072)	(3,000)	2,072				
<u>620 War Memorials</u>							
4855 Other Maintenance	0	1,000	1,000		1,000	0.0%	
War Memorials :- Indirect Expenditure	0	1,000	1,000	0	1,000	0.0%	0
Net Expenditure	0	(1,000)	(1,000)				
<u>700 Allotments</u>							
1200 Allotment Income	190	2,100	1,910			9.0%	
Allotments :- Income	190	2,100	1,910			9.0%	0
4900 Allotment Lease Costs	22	1,000	978		978	2.2%	
4901 Allotmnt Maintenance	37	0	(37)		(37)	0.0%	
4905 Water	99	250	151		151	39.5%	
Allotments :- Indirect Expenditure	158	1,250	1,092	0	1,092	12.6%	0
Net Income over Expenditure	32	850	818				

Detailed Income & Expenditure by Budget Heading 13/12/2021

Cost Centre Report

	Actual Year To Date	Current Annual Bud	Variance Annual Total	Committed Expenditure	Funds Available	% Spent	Transfer to/from EMR
<u>750 Community Infrastructure Levy</u>							
1090 Investment Interest	42	0	(42)			0.0%	
1300 Community Infrastructure Levy	72,865	1	(72,864)			7286514	72,865
Community Infrastructure Levy :- Income	<u>72,907</u>	<u>1</u>	<u>(72,906)</u>			<u>7290720</u>	<u>72,865</u>
4949 CIL Electrical Installations	2,895	0	(2,895)		(2,895)	0.0%	2,895
4950 CIL Benches	2,700	0	(2,700)		(2,700)	0.0%	2,700
4951 CIL Footpaths	17,500	0	(17,500)		(17,500)	0.0%	17,500
4953 CIL Bus Shelter	139	0	(139)		(139)	0.0%	139
4954 CIL Planters	1,983	0	(1,983)		(1,983)	0.0%	1,983
4955 CIL Project 1 Memorial Garden	4,384	0	(4,384)		(4,384)	0.0%	4,470
4956 CIL Project 2 Wood - Steel Lig	33,194	0	(33,194)		(33,194)	0.0%	33,194
4957 CIL Project 3 Jeffs Lane	8,428	0	(8,428)		(8,428)	0.0%	8,428
Community Infrastructure Levy :- Indirect Expenditure	<u>71,222</u>	<u>0</u>	<u>(71,222)</u>	<u>0</u>	<u>(71,222)</u>		<u>71,308</u>
Net Income over Expenditure	<u>1,685</u>	<u>1</u>	<u>(1,684)</u>				
6000 plus Transfer from EMR	71,308						
6001 less Transfer to EMR	72,865						
Movement to/(from) Gen Reserve	<u>129</u>						
<u>800 Contingency</u>							
4990 Contingency	0	15,000	15,000		15,000	0.0%	
Contingency :- Indirect Expenditure	<u>0</u>	<u>15,000</u>	<u>15,000</u>	<u>0</u>	<u>15,000</u>		<u>0</u>
Net Expenditure	<u>0</u>	<u>(15,000)</u>	<u>(15,000)</u>				
Grand Totals:- Income	281,162	203,159	(78,003)			138.4%	
Expenditure	239,860	275,845	35,985	0	35,985	87.0%	
Net Income over Expenditure	<u>41,302</u>	<u>(72,686)</u>	<u>(113,988)</u>				
plus Transfer from EMR	73,119						
less Transfer to EMR	72,865						
Movement to/(from) Gen Reserve	<u>41,556</u>						



Crime Figures

Incidents of note for the past 30 days.

Llanharan

Burglary

- Park view – Attempt forced entry via prying window. No entry gained. Investigation enquiries ongoing.

Damage

- Danygraig road – Damage to house windows. Appears to have been smashed by unknown object. No entry gained. House to House and CCTV enquiries negative. Crime prevention advice given. Patrols in place.

Theft

- Ynysddu – Vehicle interference. 2 Vehicles same address. Nothing taken. Vehicles were opened by unknown device/no damage committed. Suspicious incident. CCTV and House to house enquiries carried out which were negative.
- Park view – Theft of parcel. Civil matter. Officers attended and carried out initial enquiries. Suitable advice given.
- Bridgend road – Theft of vehicle. Vehicle has been found and recovered. CCTV and forensic enquiries ongoing.

ASB

- Ynysmaerdy – Off road bikes in the forest, identities unknown. Routine patrols in place.
- Clos ewenni fach – Unknown persons banging on the door. Enquiries carried out which were negative. Identities unknown. Relevant support in place. Patrols being conducted.

Brynna

Burglary – 0 incidents

Damage

- Meadow rise – Damage to garden fence. No witnesses. Reassurance contact and patrols in place.
- Brynna road – Attempt theft of machinery which has caused damage. No witnesses. No further lines of enquiry.
- Hawthorn park – Damage to vehicle tyres. Unknown when/where it has occurred as possibly home/place of work/other address. No lines of enquiry available. Crime prevention advice given.

Theft

- Bridgend road – Theft by finding of debit card. CCTV captured incident. Investigation ongoing.
- Bridgend road – Theft of mini digger. No witnesses. Damage committed to gate to allow entry. No forensic opportunities. Patrol strategy in place.

ASB

- Bridgend road – Speed complaint for the 20mph zone by school. Speed scopes carried out and GO SAFE notified by the reporting person. Report of large heavy goods vehicles speeding.
- St Ilids meadow – Neighbour dispute. Suitable advice given.
- Powell drive – Youths smoking cannabis in the park. Patrols carried out. No persons seen. No identities known. Patrol strategy in place.



2022 Year End Loyalty Scheme 3 Year Contract Accounts Year End Service, Support and Maintenance

To sign up for the scheme, please review the scheme terms, and return a completed and signed copy of the form.

I confirm that the Council agrees to the 3 Year Contract for the Rialtas Accounts Year End Closedown Service. The Rialtas Accounts Year End Service requires the Rialtas Accounting Solution to be in use at the council. As such by join this scheme the Council is agreeing to keep in place Support and Maintenance for the Rialtas Accounts Solution (Alpha or Omega) for the duration of this contract.

This Contract covers Rialtas Accounts Year End Closedown Service for:

- Year End 2022
- Year End 2023
- Year End 2024

Joining the 3 Year Loyalty Scheme entitles the council to 7% off of the published fee for 2022.

Discounts for future years will be available to any council extending their membership of the Year End Loyalty scheme. This opportunity will be offered annually.

By joining the Loyalty scheme the council will get preferential access to Year End Closedown dates. The council will be able to provide five preferred date nominations over a three-week period. In the event of date conflicts councils who sign up to the Loyalty Scheme first will be given the priority.



2022 Year End Loyalty Scheme 3 Year Contract Accounts Year End Service, Support and Maintenance

Terms and Conditions

- Once a date has been confirmed from your preferred list a request to change a date will be from our available dates at that time.
- Fees are published annually in October for the next financial year.
- If Rialtas published charges increase by more than 5% over the rate of inflation, the customer can cancel their 3 Year contract within the 3 year minimum contract term, without penalty. (Note: The increase percentage is based on published charges, not any discounted charges)
- If the council wishes to cancel within the 3 year period the remaining year(s) must still be paid.
- The Council is also agreeing to keep in place Rialtas Accounts Solution Annual Support and Maintenance contract for the duration of this contract. This is because the Rialtas Year End Closedown Service is only offered to customers who are using the Rialtas Suite Alpha or Omega Accounting Solutions.
- As per the standard Rialtas Support and Maintenance agreement, at the end of this contract, the Support and Maintenance contract will automatically renew annually, unless cancelled in writing. Cancellations require six months notice.
- Annual Support and Maintenance charges are reviewed annually and will change over the contract term. As per our standard terms, if our charges increase by more than 5% over the rate of inflation, the customer can cancel their Annual Support and Maintenance within the 3 year minimum contract term.
- Support and Maintenance Fees are charged Annually in advance for the coming 12 month period.
- If the customer elects to cease use of the software within the minimum term, the minimum terms fees must still be paid.



2022 Year End Loyalty Scheme 3 Year Contract Accounts Year End Service, Support and Maintenance

- After the minimum term, cancellations will not receive a refund of any Support and Maintenance fees already paid.
- Support and Maintenance services are provided subject to the Terms and Conditions of those services, these Terms and Conditions are provided annually with your invoice, or upon request.

Council Name:

License Number:

Date:

Signed by:

Name:

Position:

Once the above form has been completed and signed, please send to Sales@Rialtas.co.uk.
Once received you will then be sent a link to complete an electronic form to confirm your preferred dates and other essential information for Year End.



THE QUEEN'S
PLATINUM JUBILEE
BEACONS
2ND JUNE 2022



YOUR GUIDE TO TAKING PART



Certificate of Grateful Recognition



This A4 certificate will be sent to all participants at the end of June 2022, via email, enabling them to print, frame and keep it as a permanent reminder of the moment in history celebrated.

You may wish to print off extra copies, presenting them to those assisting you in this special tribute to Her Majesty The Queen.

Introduction

A warm welcome to all our fellow celebrators.

There is a long and unbroken tradition in our country of celebrating Royal Jubilees, Weddings and Coronations with the lighting of beacons - on top of mountains, church and cathedral towers, castle battlements, on town and village greens, country estates, parks and farms, along beaches and on cliff tops. In 1897, beacons were lit to celebrate Queen Victoria's Diamond Jubilee. In 1977, 2002 and 2012, beacons commemorated the Silver, Golden and Diamond Jubilees of The Queen, and in 2016 Her Majesty's 90th birthday.



The Queen's Diamond Jubilee Beacon, The Mall, London, 4th June 2012.
©Press Association Images.



Town Crier, James Donald - Howick, New Zealand.

On 2nd June 2022, we will celebrate another unique milestone in our history, Her Majesty The Queen's 70th year as our Monarch and Head of the Commonwealth - her Platinum Jubilee. It is a feat no previous monarch has achieved.

More than 1,500 beacons will be lit throughout the United Kingdom, Channel Islands, Isle of Man and UK Overseas Territories, and one in each of the capital cities of Commonwealth countries in recognition of The Queen's long and selfless service. The beacons will enable local communities, individuals and organisations to pay tribute to her as part of the official Platinum Jubilee Weekend of celebrations from 2nd to 5th June 2022.

There are three types of beacons being lit for this historic occasion:

- A free - standing beacon fuelled by bottle gas (see pages 12 & 13)

- A beacon brazier with a metal shield. This could be built by local craftsmen/women or adopted as a project by a school or college (see page 14).

- A bonfire beacon and (see page 15)

Communities with existing beacon braziers are encouraged to light these on the night.

If you wish to take part, you can register your participation by providing the information requested on page 11 under the heading, "How to take part," sending it direct to brunopeek@mac.com.



Bonfire Beacon (HM The Queen's Diamond Jubilee, 4th June 2012). Inveraray Castle, Scotland.
© Inveraray Castle.



A gas fuelled beacon on HM Tower of London in celebration of The Queen's Diamond Jubilee. Photo provided by courtesy of HM Tower of London.

At **1pm** local time Town Criers are being invited to undertake the Proclamation (see page 9) announcing the lighting of the beacons later that evening. As the sun sets at **9.09pm** across the UK and the Commonwealth, individual pipers and pipe bands are being asked to play "Diu Regnare" from central locations of their choice from within their local communities as their personal tribute to Her Majesty The Queen. (This time will vary in each time zone across the world). This unique tune has been especially written for this historic Jubilee by Piper Stuart Liddell, 2020 Glenfiddich

Champion and Pipe Major of the World Champion Pipe Band, Inveraray and District (see page 10).

"The Royal Scottish Pipers' Society are honoured to participate in our Patron The Queen's Platinum Jubilee Celebrations in June 2022.

Her Majesty's extraordinary service to this country is unparalleled. Accordingly, we encourage everyone to express their appreciation and gratitude by supporting this amazing Jubilee event," said Gordon Wallace, Hon. Pipe Major, Royal Scottish Pipers' Society.



Piper Robert Cunningham on the Peak of Scafell Pike, England. By kind permission of The National Trust.

Alan Hay, Chairman of The Royal Celtic Society whose Patron is Her Royal Highness The Princess Royal said, "Having for two hundred years been at the cutting edge of traditional music and language in Scotland, we recognise the enormous commitment Her Majesty The Queen, has made in serving the Commonwealth and its people. We are delighted therefore, to encourage all our members to participate in the Jubilee celebrations and our pipers to play Diu Regnare, composed by our member Stuart Liddell in honour of this historic event."

The National Piping Centre, whose Patron is His Royal Highness The Prince of Wales, is also delighted to be involved in The Queen's Platinum Jubilee Beacons, and will be encouraging pipers throughout the UK, Channel Islands, Isle of Man, and in the capital cities of the Commonwealth, to play this special tune five minutes before the beacons are lit that evening.

"The Royal Scottish Pipe Band Association would be delighted to support such an auspicious occasion and we will invite all our members to support this initiative as events like these help promote the long standing relationship the The Royal Scottish Pipe Band Association has with The Royal Family and we



Northumbrian Piper Andrew Davidson.

congratulate Her Majesty The Queen on her Platinum Jubilee,” said Kevin Reilly, Chairman RSPBA.

“The Northumbrian piping community will be extremely thrilled and honoured to be involved in this tremendous project being organised to recognise The Queen’s Platinum Jubilee,” said Tom Fairfax - Trustee, Northumbrian Pipers’ Society.

Song for the Commonwealth

To coincide with the lighting of the beacons throughout the Commonwealth, choirs in local communities will be encouraged to sing a specially written song. A competition to select the song will take place throughout the Commonwealth and I have asked my good friends from the Commonwealth Resounds, a musical organisation accredited to the Commonwealth with many years of experience, to coordinate this on my behalf. Details of the competition can be found on the website www.commonwealthresounds.com.



Hadrian's Wall runs from Wallsend in Tyneside through the county of Northumberland to the west of Carlisle, Cumbria, England. Photos by courtesy of Roger Clegg.



'I warmly encourage Christians and church choirs throughout the country to join in singing the 'Song for the Commonwealth' at 9.15pm on 2nd June 2022, as the Queen's Jubilee Beacons are lit throughout the United Kingdom, Channel Islands, Isle of Man and in each of the Capital Cities of the Commonwealth.

This will be a moment of remarkable celebration, as we join together across different generations, denominations, faiths and communities all over the world in proper tribute to Her Majesty the Queen. My prayer is that this might be a chance to truly celebrate Her Majesty's historic 70 years of service to her country and the Commonwealth, reaching



Beacon Brazier, St Mary's Green, City of Ely, Cambridgeshire.

out in friendship, and building community as we are reminded of our common bond under the Crown. May God watch over Her Majesty, may He bless her and her people, and may this wonderful celebration be an occasion to give thanks, both for the Queen and for the God of service and unity,' said The Most Revd Justin Welby, Archbishop of Canterbury.

"Churches Together in England encourages church choirs throughout England, from every tradition, to come together in local communities, joining where possible with other community choirs at 9.15pm on 2nd June 2022, to make the celebrations of Her Majesty the Queen's Platinum Jubilee truly memorable, and a fitting tribute to the dedication of her Majesty to the service of the nations of the United Kingdom and Commonwealth. This is an opportunity to join together ecumenically, and with the wider community, to make music, and build community. I hope that every choir in the land will find ways of embracing such a unique opportunity to make music together by singing the "Song for the Commonwealth," forming new friendships and deepening existing ones, in honour her Majesty and the God whom she serves with such faithfulness." Rev'd Dr Paul Goodliff General Secretary, Churches Together in England.

"Help for Heroes is honoured to salute Her Majesty The Queen, as we did in June 2012, by taking part in The Queen's Platinum Jubilee Beacons. Wounded veterans and their families will proudly light beacons at the four furthest corners of the UK and at the National Arboretum, where the Help for Heroes choir will join with voices across the Commonwealth by singing the Song for the Commonwealth," said, Melanie Waters, Chief Executive, Help for Heroes.

The Queen's Platinum Jubilee Beacon Tart.

To celebrate this historic moment in The Queen's reign, we wanted to produce a special Tart made from produce from each of the four countries of the United Kingdom, that could be served either hot or cold at the individual Beacon locations, as well as those singing the Song for the Commonwealth from locations of their choice from within their local communities



Battel Bonfire Boyes. Photograph by Clifton Brothers.

whether they were involved with a Beacon or not, so my friends from Country Women Country Wide have kindly devised a unique recipe for this Tart (see page 18), it's delicious.

"Battel Bonfire Boyes, (photo above) the world's **oldest** bonfire society, is delighted to be lighting a beacon in celebration of The Queen's Platinum Jubilee as part of this amazing tribute," said Matt Southam, press and publicity officer.

"The RNLI are also thrilled to commit to the event by lighting a Beacon in each of their 6 lifesaving regions of the UK," said Emily Foster, Bicentenary Campaign Manager RNLI.

"The Royal Institution of Chartered Surveyors (RICS) is honoured to lead the lighting of the UK's Anchor Chain of beacons for our Patron's historic Platinum Jubilee. It is only fitting that this aspect of the beacons will be led by RICS Matrics, a key part of our organisation which supports many thousands of young professionals in shaping their own future history and lasting legacy." Sean Tompkins, CEO RICS.

“The NFU is delighted to be supporting The Queen’s Platinum Jubilee Beacons and will be encouraging our members throughout England and Wales to light beacons as part of the celebration. From the uplands to the lowlands, our farmers will be lighting beacons on the most iconic parts of the countryside in tribute.” Minette Batters, President, NFU.

Walking with the Wounded, one of our country’s leading Forces charities, will light gas-fuelled beacons on top of the four highest peaks in the UK - Ben Nevis, Scotland; Scafell Pike, England; Mount Snowdon, Wales, and Slieve

Donard, Northern Ireland, paying tribute to The Queen while raising valuable funds for the welfare of wounded service personnel.

Beacons will also be lit on The Queen’s Sandringham and Balmoral Estates, at the Copper Horse statue of King George III in Windsor Great Park, Hillsborough Castle, Northern Ireland, and on the battlements of the Tower of London. In my home town of Great Yarmouth, Norfolk, the Borough Council will light its beacon brazier on the town’s famous Golden Mile. One will also be lit outside the 17th century Tan Hill Inn in the Yorkshire

Dales, the highest pub in Great Britain. English Heritage will light at least 17 beacons on heritage sites, and others will be lit in Enniskillen, County Fermanagh, Northern Ireland; Sark and Alderney in Channel Islands, St Davids, the most westerly City in Wales, and the Isle of Wight.

One Voice Wales, which has taken part in previous jubilee events, will be inviting member councils to light beacons, and Historic Houses will encourage member estates to participate too.

The Queen’s Jubilee Beacons on 2nd June 2022 also provides a unique opportunity for NHS leaders at trusts across the UK to say thank you to all hospital workers for their dedication and professionalism during these recent challenging times, believing it will assist in reaffirming the support and respect colleagues have for each other, and serve as a “beacon of light” within the healthcare community.

Two hospitals have already signed up. Tameside and Glossop Integrated Care NHS FT in Greater Manchester, and The Royal Orthopaedic Hospital, (ROH) in Birmingham, and they plan to create a party atmosphere as part of beacon lighting in celebration of this unique Jubilee by inviting their staff to a pre-lighting event, involving food, refreshment and local entertainment. Tameside Hospital is hiring a giant marquee which will serve afterwards as the venue for the annual staff awards and ROH will run a competition to find the lucky colleague given the honour of lighting the beacon on the night.

With this in mind, hospitals can easily get involved by approaching their Trust’s endowment or charitable fund to cover the cost of a gas-fuelled beacon. This shouldn’t create a problem as it will be seen as an important staff health and wellbeing benefit. Nearby supermarkets may be happy to supply snacks and drinks at low or no cost.

This is an important celebratory moment in The Queen’s life and for tips on how your Trust can make it a night to remember contact Susan Osborne, NHS Liaison Director, Platinum



Jubilee Beacons at susanosborne.uk@me.com Go to **page 11** to register your participation.

In a similar way to previous Royal Jubilees, the Army Cadet Force Association will be actively supporting this special occasion by lighting the National Sports Beacon at the start of the National Athletics Championships in Grantham, England, one of many others across the UK.

Dyfed & Glamorgan Army Cadet Force will light a beacon on top of Pen-y-Fan, the highest peak in South Wales, as part of a pan-Wales Army Cadets event to mark the Jubilee.

We are also pleased to confirm the involvement of Girlguiding throughout the UK, Channel Islands and the Isle of Man, with Girlguiding Chief Guide Amander Medler saying, "I'm delighted that Girlguiding is supporting the lighting of Beacons to celebrate this very special Jubilee marking the 70-year reign of our Patron Her Majesty the Queen."

"The Chiddingfold Bonfire Association (*photo left*) consider it a great honour in using this opportunity to pay tribute to Her Majesty The Queen by lighting a beacon in celebration of her Platinum Jubilee on behalf of our wonderful village and community. Our tradition of lighting beacons for Her Majesty The Queen extends all the way back to her Coronation in 1953, Silver, Golden and Diamond Jubilees and her 90th Birthday Beacons. The earliest known record of a beacon lighting in the village is for George V's Silver Jubilee of 1935," said Simon Manuel, Chairman of the Association.

Beacons are being lit on some of our country's oldest estates, including Woburn Abbey, Highclere Castle, Cholmondeley Castle, Hatfield House, Belvoir Castle, Holkham Hall, Houghton Hall, Bolton Abbey, Blenheim Palace, Arundel Castle, Chatsworth, Wellington, Roxburgh and Badminton. Hadrian's Wall Partnership and its communities along the Wall are also involved and will be lighting celebration beacons.

The Right Honourable Lord McLoughlin CH, BTA Chairman said, "I would like to encourage every City, County, Borough,

District, Regional, Community, Town and Parish Council throughout Great Britain to light a beacon in celebration of this unique moment in The Queen's life, and would ask all those taking part to go to page 11 of this Guide and register their involvement as soon as possible."

"The National Coastwatch Institution is delighted to be part of this important tribute to Her Majesty The Queen, and will be encouraging all its 56 watch stations around the coast of England and Wales to take part in lighting beacons on the night," said Commander Lesley Suddes RN, Chairman NCI. Beacons will also be lit at Coastwatch Scotland's Irvine and St Monans stations by their groups of volunteers.

Captain Ian McNaught, Deputy Master of Trinity House, said, "I am pleased that we, at Trinity House, can support this event marking HM The Queen's Platinum Jubilee. By lighting beacons at lighthouses around our shores we will help make this a celebration to remember and also honour our long-standing involvement with Her Majesty and The Royal Family."

"Rotary International Great Britain & Ireland are delighted to once again take part in Her Majesty's Platinum Jubilee Beacon Event as we were for the Diamond Jubilee, we look forward to clubs around Scotland, England, Ireland, Wales, The Channel Islands and the Isle of Man taking an active role in this prestigious event," said David Ellis, Chairman of the Executive, Rotary International Great Britain & Ireland.

Councillor Sue Baxter, NALC chair, said: "The National Association of Local Councils (NALC) is delighted to be supporting The Queen's Platinum Jubilee Beacons, and will be encouraging local councils throughout England to light beacons as part of this celebration".

"The Queen's Commonwealth Trust (QCT), which was launched in recognition of Her Majesty The Queen's lifetime of service to others and her love for the Commonwealth and its young people, is delighted to be involved in The Queen's Platinum Jubilee Beacons' project, with QCT young leaders lighting

beacons across the 54 Commonwealth countries in recognition of Her Majesty The Queen's 70 years of service and her belief that young people across the Commonwealth are beacons of hope for our collective future," said Christopher Kelly, Chief Executive, The Queen's Commonwealth Trust.

As this will be the last chain of Beacons lit during The Queen's 70-year reign, we hope that individuals, local authorities, voluntary and youth groups, farming communities and others will join with the many organisations who have already agreed to take part in this special tribute to Her Majesty on 2nd June 2022. Let's make it the largest celebration of its kind the world has ever seen.

IMPORTANT: To enable us to register your involvement in this unique tribute to Her Majesty the Queen on 2nd June 2022, please go to **page 11** of the Guide and provide the information requested in **Step 1**, sending it directly to brunopeek@mac.com asap, or by **no later than 30th May 2022**, allowing us to send you updated information in due course.

To assist in the sustainability of our planet, we would like to encourage those lighting Beacons to plant a circle of seven trees, with each tree representing a decade in The Queen's reign.

IN ADDITION: If you would like your beacon lighting event to feature on the interactive map on the government's Platinum Jubilee website, please also submit details at: www.platinumjubilee.gov.uk/event-submission

Bruno Peek

Bruno Peek LVO OBE OPR
Pageantmaster
The Queen's Platinum Jubilee Beacons



A Proclamation



Oyez Oyez Oyez

*Today in our nation - and throughout the Commonwealth -
we are celebrating our glorious Queen's Platinum Jubilee.*

*Elizabeth - the second of that name -
our most beloved Sovereign and Head of the Commonwealth for seventy years.*

*How apt that this should be the Platinum anniversary of her accession -
Platinum - that most noble of metals,
more precious even than gold.*

*And so it is in honour of this unique occasion
that beacons will be lit this evening
throughout the United Kingdom,
the Channel Islands, the Isle of Man and the UK Overseas Territories -
and in all the Capital Cities of the Commonwealth.*

*Let it be known,
in proclaiming this tribute to Her Majesty the Queen on her Platinum Jubilee,
that we are one nation and one Commonwealth.*

God Save The Queen



Jane L. Smith, Bognor Regis Town Crier
and author of the Proclamation.



Diu Regnare

Music written by Pipe Major Stuart Liddell - Glenfiddich Champion Piper

The musical score for 'Diu Regnare' is presented in ten staves of music. The key signature is one sharp (F#) and the time signature is 6/8. The score includes various musical notations such as treble clefs, notes, rests, and repeat signs. There are first and second endings marked with '1' and '2' respectively. The music is written in a single melodic line.



Stuart Liddell at Duntrune Castle on the north side of Loch Crinan in Argyll, Scotland.

A handwritten signature of Stuart Liddell in cursive script.

How to take part and beacon lighting ceremony

How to take part

Step 1: To confirm your involvement and make important communication as easy as possible please register your involvement, providing the information below, direct to brunopeek@mac.com as soon as possible please, but **no later than 1st June 2022.**

If your event is a private occasion and NOT open to the public, and you do not want your involvement shown on any public or media listing, it is important that you confirm this when providing information. Your participation will still be noted as part of this historic occasion but NOT made public. However, if your event IS open to the public, your contact details will be shared with the media so that they can contact you direct to arrange any publicity and/or coverage of your event.

Name and Job Title of Contact/Coordinator
Name of Council or Organisation
Name of Piper, if applicable
Name of Town Crier, if applicable
Name of Choir, if applicable
Postal address including county and postcode
Name of capital city - Commonwealth countries only
Country - ie England, Wales, Scotland, Northern Ireland, Channel Islands, Isle of Man, UK Overseas Territory, Commonwealth Country
Telephone number - landline
Mobile number
Email address
Beacon location - if known when registering, please include the postcode

Public or private event

Ensure you have undertaken all the safety measures outlined on pages 11 and 12 before lighting your beacon. Alert the emergency services, including the Fire Brigade, undertake any risk assessments required and ensure everyone involved is happy and familiar with your plans. (This is your responsibility as coordinator).

Beacon lighting ceremony - 2nd June 2022

Please light your Beacon at 9.15pm.

The Beacon lighting ceremony should be undertaken as follows:

Step 2: Invite your Lord Lieutenant, Deputy Lieutenant, Lord Mayor, High Sheriff, High Steward, Lord Provost, Chairman or Leader of the Council to light your beacon at 9.15pm. Alternatively, you may like to organise a competition in partnership with your local media, with the winner having the honour of lighting the beacon.

Step 3: You might consider having professional photographs taken during your event. Immediately after, please send no more than two high quality, copyright-free photographs to brunopeek@mac.com, including the name of the photographer, the beacon location, county, country and postcode, along with the name of the council or organisation.

Step 4: If appropriate, use social media channels - Twitter, Facebook etc - to promote your event. On Facebook, post photographs of your beacon lighting ceremony.

Step 5: Publicise your event. We will provide you with a Press Release template which you can localise, providing as much information as you wish regarding your event, but including your contact details. You can send this to your local media to enable them to get in touch with you direct.



Gas fuelled beacon, East Antrim, Northern Ireland.



Bonfire beacon, Killyleagh, County Down, Northern Ireland.



Wood fuelled beacon brazier, Hilton, Derbyshire, England.

Platinum Jubilee Gas-Fuelled Beacon

Bullfinch Gas Equipment

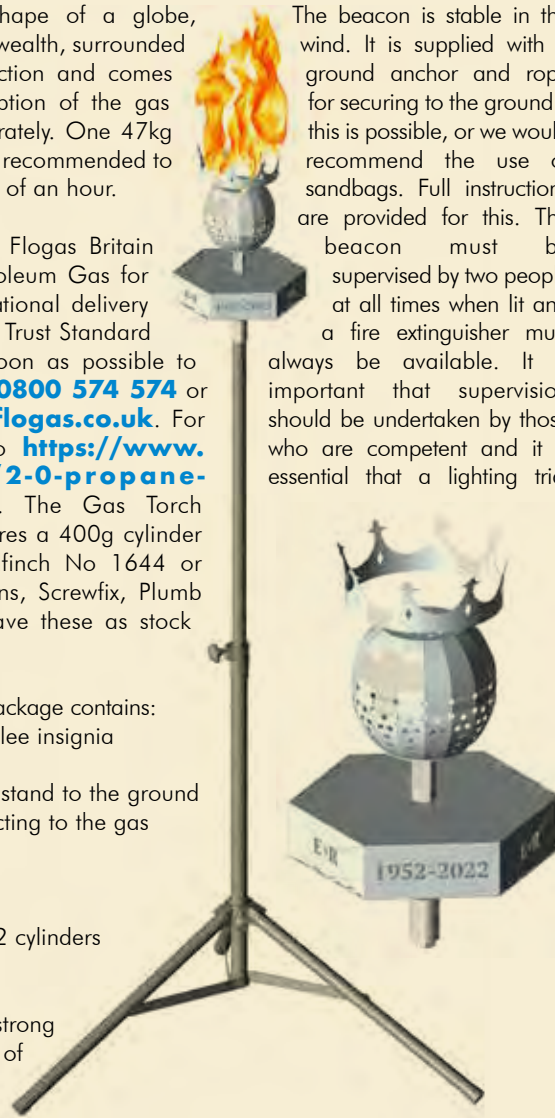
The beacon's burner-head is in the shape of a globe, representing the countries of the Commonwealth, surrounded by a Crown. It is of lightweight construction and comes assembled and complete, with the exception of the gas cylinders, which must be purchased separately. One 47kg propane cylinder or 2 x 19kg cylinders are recommended to give a full flame for a good three quarters of an hour.

These cylinders can be purchased from Flogas Britain who have been supplying Liquefied Petroleum Gas for over 35 years. They have the largest national delivery network in the UK, and hold the Carbon Trust Standard and Royal Warrant. Contact them as soon as possible to avoid delays or disappointment. Phone: **0800 574 574** or contact them via their website: www.flogas.co.uk. For their propane safety data sheet go to <https://www.flogas.co.uk/app/uploads/2-0-propane-cylinder-safety-sheet-v2-1-1.pdf>. The Gas Torch needed to light your beacon safely requires a 400g cylinder of propane with CGA600 fitting - Bullfinch No 1644 or Rothenberger or equivalent. Travis Perkins, Screwfix, Plumb Centers and some DIY stores should have these as stock items, or search online.

The Platinum Jubilee Gas-Fuelled Beacon Package contains:

- Burner unit with Crown & Platinum Jubilee insignia
- 2m high stand
- Ground anchor and rope for fixing the stand to the ground
- 10m hose with the regulator for connecting to the gas
- Gas torch for lighting
- Spanner
- Leak detecting fluid
- Hose assembly and Y manifold to link 2 cylinders
- Lighting and safety instructions

The above items are packed into 2 strong cartons. The tripod describes a circle area of about 1.32m diameter and the beacon has an extended height of about 2.15m.



The beacon is stable in the wind. It is supplied with a ground anchor and rope for securing to the ground if this is possible, or we would recommend the use of sandbags. Full instructions are provided for this. The beacon must be supervised by two people at all times when lit and a fire extinguisher must always be available. It is important that supervision should be undertaken by those who are competent and it is essential that a lighting trial



Gas-fuelled Beacon on a Church Tower.

takes place before the event to ensure that everyone is fully trained and familiar with the operation. The price of a gas-fuelled Platinum Jubilee Beacon is £490 plus VAT, including carriage to your door within UK mainland (Highlands and Islands excluded). There will be an extra charge for other areas.

Some of the benefits of this style of beacon are that it can be seen for miles once lit, is suitable for all manner of high

and low locations, is easily collapsible and once used can be stored away for later use.

To order your beacon please contact:
Bullfinch Gas Equipment,
Kings Road, Tyseley,
Birmingham, B11 2AJ.
Tel: 0121 765 2000
Fax: 0121 707 0995
Email: sales@bullfinch-gas.co.uk
Web: www.bullfinch-gas.co.uk

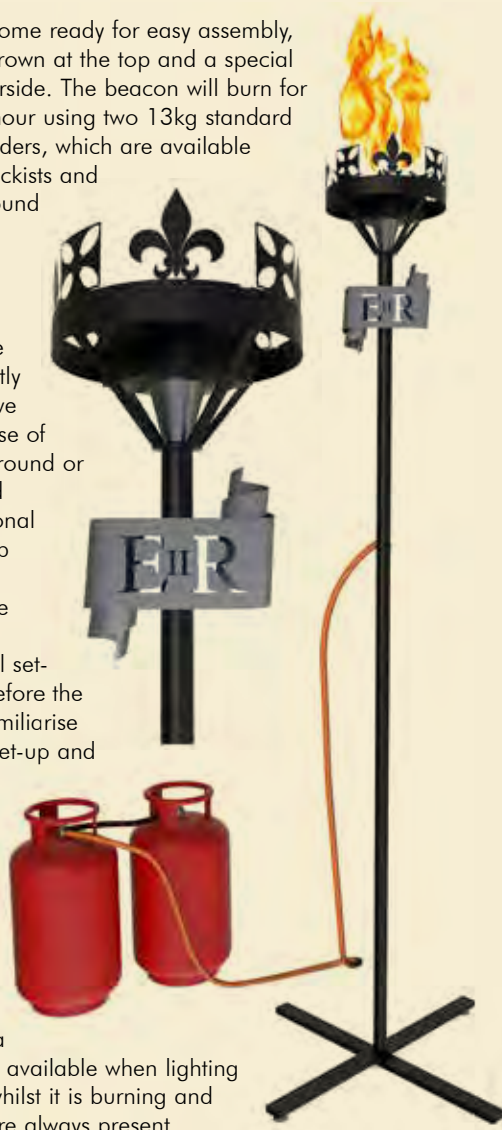


Payment by cheque, BACS transfer, or Credit/Debit Card. Last date to order to guarantee delivery by 29th May is 18th April 2022. However please enquire after this date for availability.

Platinum Jubilee Gas-Fuelled Beacon

21CC Group Ltd

The beacon will come ready for easy assembly, designed with a crown at the top and a special date plaque underside. The beacon will burn for approximately 1 hour using two 13kg standard propane gas cylinders, which are available from most gas stockists and petrol stations around the UK. The gas assembly is easily connected to the burner by a quick release fitting. The beacon is inherently stable; however, we recommend the use of anchors on soft ground or sandbags on hard ground for additional stability. Full set-up instructions are included within the pack and we recommend a trial set-up and lighting before the actual event to familiarise yourself with the set-up and operation. We have included two long-reach lighting sticks so that you can practice lighting the beacon in advance. We would also recommend that a fire extinguisher is available when lighting the beacon and whilst it is burning and that two people are always present.



The Platinum Jubilee Beacon package contains:

- Assembly, lighting and safety instructions
- 2m high stand and burner
- 10m hose with the regulator for connecting to the gas
- Two long-reach lighting sticks
- Spanner and leak detection fluid
- Hose and Y splitter manifold to link 2 cylinders
- No additional connections required - all you need is in the box

Beacon Price:

The price of our beacon is £490 + vat, including carriage within the UK mainland. An additional charge may be applied for other areas.

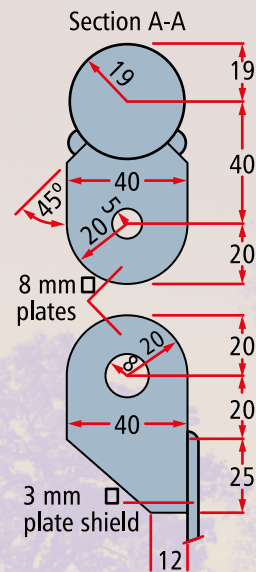
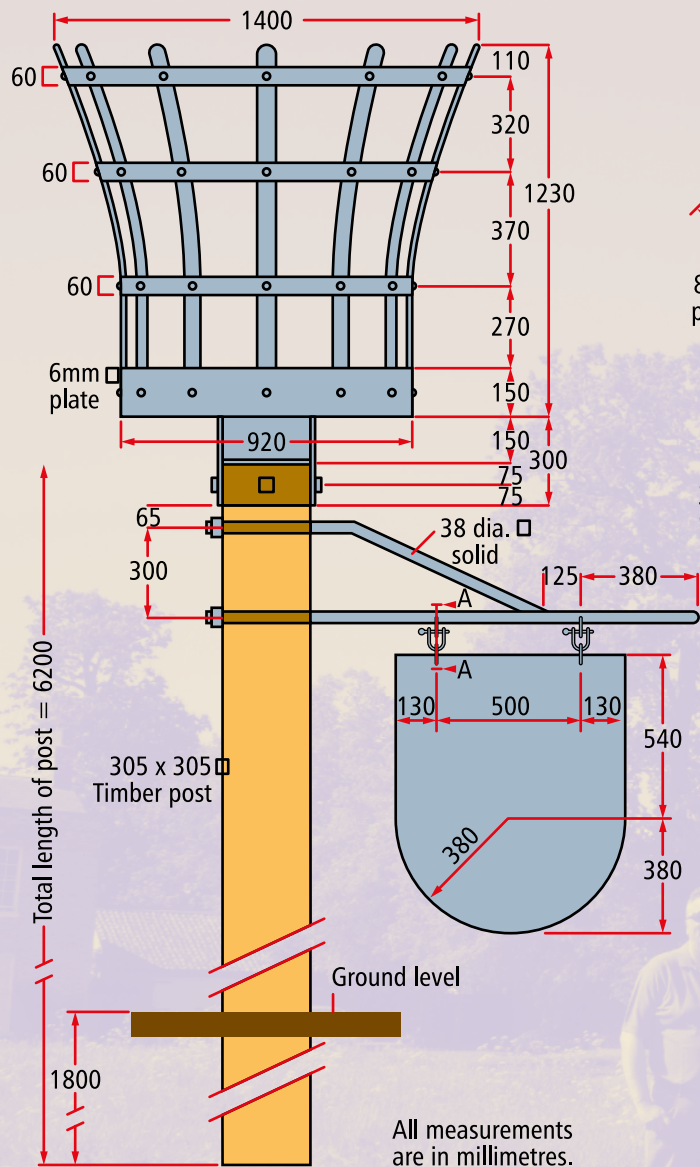
Ordering & Payment

To order your Platinum Jubilee beacon, please contact 21CC Group Ltd by phone; **0131 331 4509** or email our beacon team on beacons@21ccgroup.com. Additional information can be found on our website at www.21ccgroup.com/beacons. Payment can be made in all the usual ways including BACS, cheque and credit/debit card. Orders received before **29th April 2022** will be delivered by 31st May 2022. All orders after 29th April 2022 will be taken on a case by case basis and subject to stock availability.



The lighting of a gas-fuelled beacon at Edinburgh Castle, Scotland in celebration of Her Majesty The Queen's Diamond Jubilee in June 2012.

The Queen's Platinum Jubilee Beacon Brazier



Beacon Brazier with Metal Shield

A beacon brazier will provide a permanent reminder of this unique moment in The Queen's reign. It can be built by local craftsmen and women, and may be used for future historic occasions in your community. It could be sited in a country park, on a hilltop overlooking the sea or a lake, in the centre of your town or village, and could become a tourist attraction for your area.



Materials Required for Beacon Construction

Wooden centre post consisting of 305mm x 305mm wooden post, 6.25 metres in length of which 2 metres goes into the ground.

Basket and fixing brackets consisting of:

- 1 x 920mm diameter steel plate.
- 1 x 4,178mm long 60mm x 5mm steel flat bar rolled into 1,330mm diameter ring.
- 1 x 3,455mm long 60mm x 5mm steel flat bar rolled into 1,100mm diameter ring.
- 1 x 2,985mm long 60mm x 5mm steel flat bar rolled into 950mm diameter ring.
- 1 x 2,922mm long 150mm x 5mm steel flat bar rolled into 930mm diameter ring.
- 12 x (approx 1,250mm long) 60mm x 5mm vertical bars (rolled to shape).
- 1 x 310mm x 310mm x 300mm high connection box welded to base of basket.
- 1 x hanging shield and support: 3.7m length of 38mm diameter solid steel rod.
- 1 x 920mm x 760mm steel plate 3mm thick 4 x connection brackets 8mm thick (see detailed drawings left).
- 2 x pins and loops.



Bonfire Beacon

Locate the bonfire at least 60m away from buildings, roads, railways and public rights of way, and a safe distance from dangerous materials and overhead power lines. Ensure it has good access for the transportation of materials for the bonfire and sufficient space for spectators to stand upwind.

Obtain the landowner's permission and involvement.

Liaise with your local fire brigade and all emergency services in your area, presenting them with your plans, and seek their advice and support.

1 Prepare site by removing top layer of turf and stack away from fire area. Obtain seven poles, 5-6m in length. Attach four guy ropes to top of one pole and anchor as shown.

2 Erect remaining poles as shown, ensuring tops are secured in place.

3 Use either pallets or suitable lengths of timber, spreading them over ground area of beacon for a good through draught. Secure timber horizontally between poles as shown, preventing material placed over the framework from dropping through. Construct access tunnel to the middle of the beacon. Keep middle empty

until required. Always construct the bonfire so it collapses inwards as it burns.

4 Use only wood for combustible materials. Do not burn dangerous items such as foam-filled furniture, old tyres, aerosols or tins of paint. Build upwards until height of centre pole is reached. Materials around top should be loosely packed to allow air flow. Cover bonfire to keep it dry.

5 Fill centre with suitable, dry combustible materials. Check construction is stable and remove any unsuitable materials that may have been added. Look specifically for fireworks, aerosols, highly inflammable materials or containers with such materials.

6 Construct a safety barrier out of ropes and stakes or scaffold poles to ensure public is kept at a safe distance from the fire.

7 *In daylight, and for several hours, and up to lighting, check that there are no children or animals playing or hiding in or round the bonfire. Arrange for at least 12 marshals to be in attendance, and undertake a sufficient safety briefing before lighting the beacon.*

8 The person looking after the fire should not wear lightweight clothing that could ignite easily. They should wear a substantial

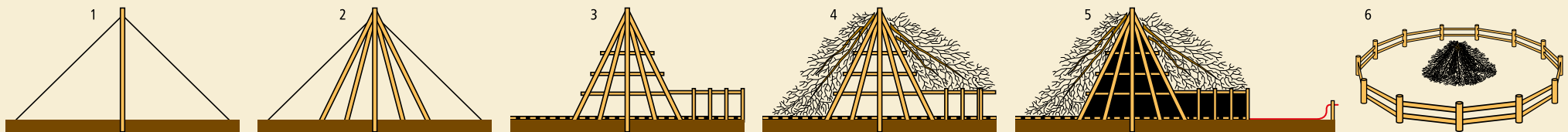
outer garment of wool, or other material of low flammability, and stout boots. They should know what to do in the event of a burn injury, or a person's clothing catching fire, and should have a fire blanket ready in the bonfire area along with a number of fire extinguishers.

9 Lighting: the safest and recommended approach is to use paper and solid firelighters in six places just inside the walls of the beacon to ensure an even burn. Never use flammable liquids such as paraffin or petrol to get it going as this can result in uncontrolled spread of fire or explosion.

10 To light the beacon: from poles 2m in length, prepare hand torches for lighting with paraffin-soaked rags wired around one end. Remember, paraffin is dangerous and great care should be taken. Paraffin can be used as directed, but it is still dangerous and should at all times be treated with great care - for example, always ensure all excess paraffin is drained off rags before use. If spilt on your clothes during the preparation of your beacon lighting you should replace those items of clothing before approaching any naked flames. In particular, always remember to replace the lid on any container of unused paraffin and store it in a safe place away from naked flames. Do not use an accelerant on the fire itself.



Bonfire Beacon, Shipston-on-Stour, Warwickshire, England.



▲ After the event, extinguish fire and collect remaining debris. ▲ Dig over site and re-lay turf. ▲ Leave site clean and tidy.



Above and background: The Tower of London built by William the Conqueror in the early 1080s. Through the centuries, successive monarchs have added to the fortifications.

If you are inviting personal guests to your home it is worth checking with your household insurer that you are covered in the unfortunate circumstances that there should be an accident. If your event includes inviting the public, or it is a third party venue then, where applicable, the following advice should be heeded, to ensure you have a safe and enjoyable event for everyone involved.

Licensing

Generally, all public entertainment has to be licensed by the local authority. The law on this aims to ensure the safety of the public and performers. Local authorities treat each event individually, and what one will allow another will not. Do not be put off by the length of some of the forms - the licensing officer is there to help you.

The licensing officer's job is to advise the local authority's licensing committee on the granting of public entertainment licenses. For small scale events he or she, in effect, makes the decision. Only if your event is contentious will the licensing committee decide to consider the application in detail. Talk to the licensing officer as soon as possible. In Northern Ireland, if you plan to sell alcohol at an event, you will need to apply for an occasional liquor license from the Northern Ireland Court Service.

Insurance

Unfortunately, accidents can happen at even the best organised events. Therefore, you will need to consider and obtain insurance cover for your event, whether you are holding an event on your own premises or someone else's. beacon/bonfire events require specialist public liability cover. If you hire a park or venue or use land owned by a third party for your activity, they are likely to require you to have your own suitable insurance to cover your liability for any injury to the public or damage to other people's land or property.

Legal Essentials and Safety

If hiring equipment for the event, you may need to insure these items; you may also need to consider cover for loss of any financial outlay you incur if the event has to be cancelled for reasons beyond your control, or loss of money, particularly if you are holding a fund-raising event. Therefore, to help you obtain the appropriate insurance, and risk management advice, we are working closely with Unity Insurance Services, which is a specialist insurance broker in the voluntary and non-profit sector.

They have developed a range of bespoke insurance covers specifically for the Beacon/Bonfire events. Unity is owned by a charity and donates all its profits back to charity, so to obtain a quote or for more details or advice on the insurance cover you may need, please visit Unity's website or telephone them on 0345 040 7702.



Alternatively, the licensing officer may be able to direct you to a suitable specialist company or broker, but you should not try to source this kind of insurance from a non-specialist.



Emergency Services

Tell the police well in advance about the type of event you are planning, and get in touch with your local community police officer. Write to the fire brigade and ambulance service, particularly if you are planning to have a beacon/bonfire, fireworks, or an event that will attract a large crowd. St John's Ambulance and the British Red Cross will provide first aid and sometimes a vehicle. In some areas they are simply happy to receive a donation. In others, expect a fee to be charged.



Food and Drink

Basic food hygiene guidelines should be followed at all times if you are providing food and drink. Caterers must have food hygiene certificates. Advice on this subject can be obtained from your local council environmental officer.



Alcohol

If you want to sell alcohol you will need to secure a licence. From February 2005, licenses are granted by the local authority rather than the Magistrates Court. You should therefore contact your local authority licensing section and seek information from them on how to apply. During 2005 all existing licenses have to be renewed and this will inevitably lead to long lead-in-times. Please apply as early as possible.



Site Clearance

The local authority will arrange for clearance and disposal of litter after your event if it is on public ground (check for possible charges). You can help this process by arranging litter bins or recycling bins around the site, and a crew to clear up throughout the event.



Hiring or Borrowing Equipment

Your local authorities, or local event organisers may be able to help you with contacts for supplies such as marquees, portable toilets, barriers and bunting, or may in some cases have these for you to hire and borrow. You may also need to consider generators, a public address system, and emergency flood lighting. If you need to arrange insurance for your hired equipment, Unity Insurance Services can arrange this for you too.



All Ability Access

Access for people with a disability is very important. Many local authorities run community transport schemes. Talk to them about arranging transport. On greenfield sites, access may be improved by cutting the grass before the event.



THE QUEEN'S PLATINUM JUBILEE BEACON TRAIL

5TH MAY - 2ND JUNE 2022

If your location is lighting a beacon anywhere in the world we also encourage you to take part in this specially designed augmented reality trail that will create buzz and awareness in the four-week run up to the lighting on the 2nd of June. The Queen's Platinum Jubilee Beacon Trail will take families on a free, whistlestop tour of Her Majesty's 70 years of service.

Families and friends in locations taking part will be able to visit seven venues around their village, town or city centre, learning about a different decade in The Queen's reign at each one. Players will learn about The Queen's part in modern history as well as engaging in a fun story with characters like Sir Barnaby Beacon. Along the trail they'll meet him and his friends from Buckingham Palace, and they'll be able see and interact with them in augmented reality.



An example trail vinyl - actual printed vinyls may vary

How It Works for Players

To take part is very simple, players don't need to download an app or even register beforehand.



Step 1

Players go online to find the trail map and visit the venues in their location, in any order.



Step 3

A digital stamp will automatically pop up on their phone's browser and tell them about that decade in The Queen's reign.

Step 4

Players can then choose to see the character in AR. This means that the character will appear life-sized in the player's environment, leading to perfect selfie opportunities and yelps of joy from children!



Step 5

Once players have collected all seven of the digital stamps, they will be given information about where and when their local beacon will be lit, and encouraged to share this with their friends and family.

How it Works for Hosts

What We Do:

- Provide all the window vinyl artworks with QR codes
- Set up your trail on the collection platform and create your digital map
- Show your trail on a central bespoke website



See me in AR >>
Scan here from a smartphone

Step 2

When they visit a venue they simply find the window vinyl and scan its unique QR code.



Cost

You can bring the trail to your location for four weeks for just £499, which includes the full artwork pack (delivered worldwide) and all digital setup and assets. This means that even if you also need to purchase one of the gas beacons, the whole event would cost under £1,000.

How to Take Part

We advise hosts to sign up as soon as possible to give adequate pre-marketing time but the deadline for applications is 7th April 2022.

To see more or to sign up as a host, please visit High Street Safari's website highstreetsafari.com/jubilee or contact the project director, Stephen Blackwell, at info@highstreetsafari.com

- Run a large scale marketing campaign
- Give you a Marketing Toolkit, specially developed for the trail
- Send you a final report on user analytics

What You Do:

- Decide where you want to put up the seven trail vinyls within your area
- Give us the list so we can create your map
- Promote the event locally using the Marketing Toolkit



The Queen's Platinum Jubilee Beacon Tart

Ingredients representing all 4 nations of the UK

England: Cheddar Cheese Northern Ireland: Potatoes

Scotland: Smoked Salmon Wales: Leek

Average cost of ingredients per tart, between £3.75 & £5.00

The following quantities will serve TEN people.

Pastry

140 g (5 oz) plain flour

35 g (1 ¼ oz) margarine

35 g (1 ¼ oz) vegetable fat

About 1 ½ tablespoons cold water

Or use ready-made shortcrust pastry

* 20 cm (8") loose-bottom flan tin

* baking beans

Filling

100 g (4 oz) Smoked salmon (trimmings or chopped small)

50 g (2 oz) leek

100g (4 oz) cooked potatoes

70g (2 ¾ oz) Cheddar cheese (grated)

200 ml (7 fl oz) single cream

2 large eggs (beaten)

1 tablespoon fresh chopped parsley

Black pepper

Butter or oil

- To make pastry - place flour in bowl add the fats and rub in lightly with fingertips until mixture resembles fine breadcrumbs. Add enough cold water to bind to a soft dough, knead briefly and shape in to a ball. Wrap and chill for 30 minutes.
- Roll out the pastry and use to line the flan tin. Prick the bottom of the pastry with a fork. Line pastry shell with foil and fill with baking beans. Place tin on a heated baking tray and bake in preheated oven at 200°C Fan (Gas 7) for 10 minutes, remove foil and baking beans, return to the oven for a further 10 minutes.
- Reduce oven temperature to 160°C Fan (Gas 4)
- Scrub potatoes and place in a pan of lightly salted boiling water to cook for 15 minutes. Drain and allow to cool before removing the skin and then slicing thinly.



- Finely chop leek. Heat a little butter or oil in a small frying pan, add chopped leek to the pan and cook over a low to moderate heat, stirring occasionally, for about 10 minutes until soft but not coloured - allow to cool.
- Mix together cream, beaten eggs, chopped parsley and plenty of ground black pepper. Layer filling in pastry case; spread smoked salmon over base of tart followed by cooked leek and then 50 g (2 oz) grated cheese (keeping remaining 20g (¾ oz) to sprinkle on top). Top with thinly sliced cooked potatoes. Sprinkle remaining grated cheese over the top then gently pour cream and egg mixture in to the tart.
- Bake in oven for 30 - 35 minutes until filling is set and golden. Serve cold.

NB These quantities also make 18 small tarts using 8cm (3 ¼") plain round cutter and lining patty tins. When making small tarts there is no need to blind bake the cases first. Bake small tarts at 160°C Fan (Gas 4) for about 30 minutes until filling is set and golden.

Guide to serving

A construction of seven Platinum Jubilee Beacon Tarts as shown below will serve 70 guests.

Each tart represents a Decade of Her Majesty's reign.

Each slice represents a Year of Her Majesty's reign.

You will need: 7 x 8" freshly made Platinum Jubilee Beacon Tarts as per recipe

7 x 8" x 0.5" silver (platinum) cake boards

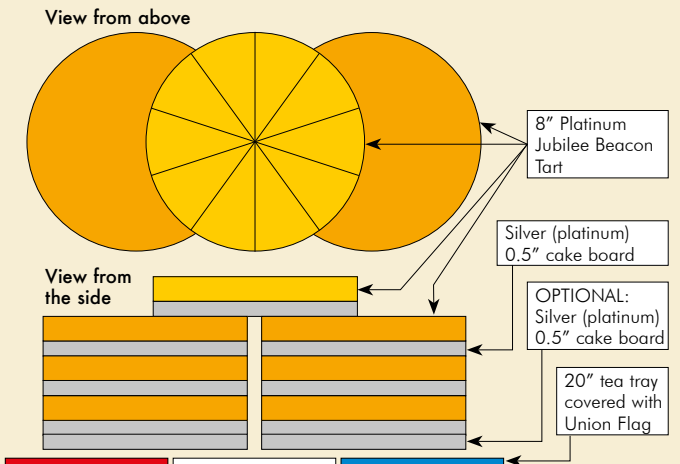
1 x 20" tea tray

2 or 3 x Union Flag napkins

Optional: 2 additional silver (platinum) cake boards if greater elevation is required

Additional napkins to hand to guests with their slice of tart

Create two stacks of 3 x 8" tarts, each on a silver (platinum) cake board, and place side by side on a 20" rectangular tray covered with Union Flag napkins. Place a further tart centrally on top (7 tarts in total).



The above produces a 6" high stack of tarts. If further elevation is needed an additional cake board could be placed under each stack of 3 tarts.

Once the top tart has been ceremonially cut, remove it from the stack and set to one side to cut into ten slices. This will avoid crushing the tarts underneath. Carry out the same process for each subsequent tart, remembering to remove each one from the stack before cutting into ten. The slices can then be handed round to guests from their individual boards accompanied by napkins if desired.



The Queen's Platinum Jubilee Beacons Acknowledgements

**In recognition for their generous support in funding the design of this publication
Caravan and Motorhome Club**

**(THE LIST OF SUPPORTERS, ORGANISATIONS AND PARTICIPANTS IN ALL ACTIVITIES,
WILL BE UPDATED AT THE END OF EACH CALENDAR MONTH UNTIL 1ST JUNE 2022)**



The Association of Lord Lieutenants, Colonel Edward Bolitho OBE, Lady Dannatt MBE, High Sheriffs' Association of England and Wales, National Association of Civic Officers, Ministry of Housing, Communities & Local Government, Michael Muskett MBE, Walking With The Wounded, HM Tower of London, Sandringham Estate, The Crown Estates, Cardiff Council, Royal Borough of Windsor & Maidenhead, The Commonwealth Resounds, Sea Cadets, Army Cadet Force, Dyfed & Glamorgan Army Cadet Force, The National Cadet Corps (Accra, Ghana), Cyprus Army Cadet Force (Nicosia, Cyprus), The Royal Canadian Army Cadets (Ottawa, Canada), The Australian Army Cadets (Canberra, Australia), Air Training Corps, Backstage Technologie Europe Ltd, Night Train Productions Ltd, Huntingdon Town Council, Flogas Britain, Bullfinch Gas Equipment, English Heritage, Unity Insurance Services, Ottewill Silversmiths & Jewellers Ltd, The High Sheriff Magazine, One Voice Wales, Solace in Business, The Royal Agricultural Benevolent Institution (RABI), Local Government Association, National Farmers Union (NFU), Historic Houses, Country Land & Business Association, Isle of Wight Council, Isle of Man Government, States of Guernsey, Islands of Herm and Jethou, Council of the Isles of Scilly, Arundel Castle, Potters Leisure Resort, Norfolk Tank Museum, Oscar Research Ltd, States of Alderney, Isle of Sark Government, Unst Community Council, Tan Hill Inn, St Davids City Council, Ceremonial News, Piper Lady Jane MacRae, Piper Stuart Liddell and Piper Robert Procter, The Royal Institute of Chartered Surveyors (RICS), SLCC For Local Council Professionals, Studioeast Ltd, Great Yarmouth Borough Council, Ministry of Defence (MOD), The Ancient & Honourable Guild of Town Criers, Mr John Singer, Sir Peter Ogden, RSABI – Supporting People in Scottish Agriculture, Malvern Hills Trust/Conservators, Peter Taunton – Town Crier, The Hadrian's Wall Partnership – Lady Jane Gibson, Undeb Amaethwyr – Farmers' Union of Wales, Scottish Land & Estates, National Federation of Young Farmers' Clubs, Parish of Lanteglos & Village of Polruan, Benedict Heyes, Councillor Carl Smith, SLCC For Local Council Professionals, NFU Scotland, Brampton Parish Council, Roger Clegg – Photographer, Balmoral Estate, Edinburgh Castle, Hillsborough Castle, Highclere Castle, Inveraray Castle, Alnwick Estate, Wellington Estate, Holkham Hall, Belvoir Castle, Arundel Castle, Hatfield House, Blenheim Palace, Badminton Estate, Woburn Abbey, Floors Castle, Caledon Castle, Houghton Hall, Cholmondeley Castle, Chatsworth Estate, Bolton Abbey, Buccleuch Estate, Studio East Ltd, National Association of Local Councils, Society of Local Council Clerks, Government of Jersey, Land's End, Cornwall, Selwyn Johnstone, Northumberland County Council, Peter Taunton, Town Crier for Newport and Stafford, TMS Media Ltd, Northumberland County Council, National Farmers Union of Scotland, Country Women Countrywide, National Coastwatch Institution, Coastwatch Scotland – Irvine Unit, Piper Finlay MacDonald, Sir Brian and Lady Ivory DL – the National Piping Centre, the Corporation of Trinity House, Coastwatch Scotland – St Monans Station, Coastwatch Scotland - Irvine Station, Chiddingfold Bonfire Association, Battel Bonfire Boyes, Burgess Hill Bonfire Society, Cymdeithas Llwodraeth Leol Cymru/Welsh Local Government Association, The Royal Observer Corps, Commercial Square Bonfire Society, Northumbrian Pipers' Society, The Royal Scottish Pipe Band Association, Maiden Bradley Parish Council, The Royal Scottish Pipers' Society, The Royal Celtic Society, Beverley Town Council, British Tourist Authority (BTA), VisitBritain, Silton Parish Meeting, Lincolnshire County Council.

His Grace The Duke of Norfolk, His Grace The Duke of Rutland, His Grace The Duke of Bedford, His Grace The Duke of Argyll, His Grace The Duke of Roxburgh, His Grace The Duke of Northumberland, His Grace The Duke of Wellington, His Grace The Earl of Leicester, His Grace The Earl of Carnarvon, His Grace The Duke of Beaufort, His Grace The Duke of Marlborough, His Grace The Earl of Caledon, His Grace The Duke of Devonshire, His Grace The Duke of Buccleuch, Lord Salisbury, Lord Cholmondeley, His Grace The Duke of Fife, His Grace The Duke of Somerset, Viscount Brookeborough KG KstJ, HM Lord-Lieutenant of Co. Fermanagh. His Grace The Duke of Westminster. Viscount Boyne.

(more acknowledgements to follow)

Acknowledgements



THE COMMONWEALTH SONG

The Rt Hon Patricia Scotland QC, Secretary-General of the Commonwealth
Bruno Peek LVO OBE OPR, Pageantmaster, The Queen's Platinum Jubilee Beacons
Alison Cox OBE FRSA, Founder and Chairman, The Commonwealth Resounds
Jane Hunt, Marketing and Publicity Manager, The Commonwealth Resounds
Sally-Ann Whitty, Administration Manager, The Commonwealth Resounds
Judith Weir CBE, Master of The Queen's Music and President, Royal Society of Musicians
Stephen Miles, administration and logistics management
Peter Banks – Website Consultant, Commonwealth Resounds
Colin Eade GISC Member Services – The Guild of International Songwriters and Composers
Greater Manchester Music Hub – Alison Home, Assistant Head of Wigan Music Service (Vocal)
Graham Trew MVO M.Mus, FRSA
The Composers' Society of Singapore
The African Composers' Platform



The Hillsborough Fort Guard

Sergeant Major P F Shields
(Former Major – Irish Guards)
HFG Bugler Sjt Andrew Carlisle
(Former UDR and R Irish)
Wdr Jackie McQuillan
Cpl Robert Finn
Wdr Charlie Dielt
Cpl Simon Walker
Wdr Stewart Finn
Wdr Alan Finn

Acknowledgements

Beacons



BEACONS

BEACON ANCHOR CHAIN

Royal Institution of Chartered Surveyors (RICS)

England

Deadwater Fell – **Northumberland**. Skiddaw, Nine Standards and Kirkby Stephen – **Cumbria**. Holme Moss – **Lancashire**. Mow Cop – **Staffordshire**.
Beacon Hill – Charwood, **Leicestershire**. Lyndon Hall – Oakham, **Rutland**. St Mary’s Church – Haverill, Abbey Gardens – Bury St Edmunds and Stowmarket Recreation Ground – **Suffolk**.
Blenheim Palace – **Oxfordshire**. Guiting Power, Clentenham – **Gloucestershire**.
Lands End, Chapel Carn Brea, Island of St Ives, Lower Poole Farm, Okehampton and St Agnes Beacon – **Cornwall**. North Molton – **Devon**.
Dunkery Beacon, Brean Down, Weston-super-Mare, Pen Hill, Wells and Tunley, Bath – **Somerset**. Telegraph Hill, Blackheath and Crystal Palace – **London**.
Stanhill Farm, Swanley, Meadon View – Hextable & Heron Park, The Banks, Dennes Lane, Lydd – **Kent**. Duncton Down and Ditchling Beacon, Westmeston – **Sussex**.

Scotland

Hayston Hill and Collessie – **Tayside and Fife**. Edinburgh Castle – **Edinburgh**. Criffel – **Dumfries and Galloway**.

Wales

Cefn Ysgwydd Bach, Holyhead, Faenol Famau – **Flintshire**, land adjacent to Jubilee Tower, Moel Famau, Clwydian Range.
St. David’s Head. Haverford West Showground. Amroth Beach. Parc Mawr, Penllergaer, Gower. Hill House Farm, St Mary Hill. Mynydd Baeden – **South Wales**.

Northern Ireland

Knockagh Monument – **County Antrim**.

Acknowledgements

Beacons



FOUR PEAKS

Walking With The Wounded.

England - Scafell Pike (Palgrave Ltd Seaside Good Importers & Distributors).

Scotland - Ben Nevis (Seajacks UK Ltd).

Wales - Mount Snowdon (Isadores - a boutique business and property law firm).

Northern Ireland - Slieve Donard (Stephenson Smart Chartered Accountants & Business Advisors).



OTHER BEACON LOCATIONS IN THE UNITED KINGDOM, CHANNEL ISLANDS AND THE ISLE OF MAN
(THE LIST OF BEACONS, TOWN CRIERS AND PIPERS WILL BE UPDATED AT THE END OF EACH MONTH UNTIL 1ST JUNE 2022)

ENGLAND

Avon: Yate Town Council – Tylers Field, Yate.

Bath & North Somerset: Peasedown St John Parish Council – Beacon Hall, Peasedown St John.

Bedfordshire: Woburn Abbey. Donnington Castle (English Heritage). Yelden. Clapham Parish Council – Milton Road, Clapham. Barton-le-Clay Parish Council. Pottton Town Council.

Moggerhanger Park Limited – Moggerhanger House, Moggerhanger Park, Moggerhanger. Shefford Town Council – Town Square, Shefford. Luton Borough Council. Renhold Village, Renhold.

Berkshire: Copper Horse. Windsor Great Park. Highclere Castle. Wraysbury Parish Council. Datchet Parish Council – Jubilee Green, Datchet. Seven Barrows Ltd – Faringdon Road Grass Gallops, Ferringdon. Cookham Parish Council, Cookham.

Buckinghamshire: Latimer and Ley Hill Parish Council – Ley Hill Village Common. Waddesdon Parish Council – Waddesdon Community Centre, Waddesdon. Maids Moreton Parish Council – Maids Moreton Playing Field, Maids Moreton. Great Brickhill Jubilee Group – Great Brickhill Cricket Club, Horsepond, Great Brickhill. Hanslope Parish Council – Hanslope Recreation Ground, Hanslope.

Cambridgeshire: Huntingdon Town Council – Castle Hill, Huntingdon. Crowland Parish Council – Snowden Fields, Crowland, Peterborough. Warboys Parish Council.

Eltisley Parish Council – The Green, Eltisley, St Neots. St Nicolas Church – Hail Weston. Mary's Leighton Bromswold Parochial Church Council – top of St Mary's Church Tower, St Mary's Leighton, Bromswold, Huntingdon. Chatteris Town Council, Chatteris. Sawtry Parish Council – St Judith's Field, Sawtry, Huntingdon. City of Ely Council – St Mary's Green, Ely.

Cheshire: Cholmondeley Castle. Beeston Castle (English Heritage). St Bartholomew's Church, Church Minshull, Nantwich. Beeston Parish Council – Beeston Castle – Beeston. Winsford Town Council – Rilshaw Meadows, Winsford. Guilden Sutton Parish Council – Hare Lane, Pipers Ash, Guilden Sutton. East Cheshire NHS Trust - Macclesfield District General Hospital. St Oswald's Church, Lower Peover. Barnton Parish Council, Barnton.

Cornwall: Penleath Point overlooking Fowey Harbour. Pendennis Castle (English Heritage) **Not open to the public.** The Village of Polgooth – The Goffin, Polgooth. Torpoint Town Council – Rendel Park, Torpoint. Polperro Community Council. Coronation Park Trust – Coronation Park, Launceston (including firework display).

Acknowledgements

Beacons

County Durham: Barnard Castle (English Heritage). Fishburn Parish Council. Pittington Community Organisation with Pittington Parish Council – Pittington Parish, including villages of High Pittington, Low Pittington and Littletown. Pittington Community Association with Pittington Parish Council – Littletown Green, Littletown. St Andrews Church, Winston, Nr Darlington. Boldron Parish Meeting – Boldron Village Green, Boldron, Barnard Castle. Eggleston Parish Council – Whistle Crag, Eggleston. Spennymoor Town Council – Jubilee Park, Spennymoor. Sherburn Village Parish Council – Village Green, Sherburn. Tow Law Town Council – The Millennium Green, Tow Law, Bishop Auckland. Bishop Auckland Town Council, Bishop Auckland.

Cornwall: Liskeard Town Council – Tower of St Martin's Church, Liskeard. St Anthony-in-Meneage Parish Meeting – Roskruge Beacon.

Cumbria: Brampton. Birdoswald Roman Fort (English Heritage). Whelprigg House. Mansergh Parish Meeting. Barton & Pooley Bridge Parich Council – Heughscar Hill, Nr Pooley Bridge, Ullswater. Brough Sowerby Parish Meeting – Brough Sowerby Common, Eden.

Derbyshire: Chatsworth Estate. Hatton Parish Council – Scropton Road Recreation Ground, Hatton. Erewash Borough Council – Market Place, Ilkeston. Erewash Borough Council – Market Place, Long Eaton. Crich Parish Council – Crich Stand, Plaistow Green Road, Crich. Morley Hayes Leisure - Morley. Friends of Poulter Park – Top of the World, Poulter Park, Langwith.

Devon: Blackborough Social Club – Beacon Hill, Blackborough. Plympton Civic Society – Dorsmouth Rock, Plympton. Eggesford Airfield, Trenchard, Eggesford, Chulmleigh. Oakehampton Hamlets Parish Council. Hennock Parish Council. Luppitt Parish Council – Hartridge Common Land. Exeter City Council. Buckland Brewer Parish Council – Buckland Brewer Amenity Field, Buckland, Bideford. Delamore Estate – Penn Tor, Dartmoor. Peter Tavy Parish Council. Bideford Town Council – The Pollyfield Centre, Bideford. Strete Parish Council – 'Great Bondfire Field,' Manor Farm, Strete. Bampton Town Council – Top of Motte & Bailey, Bampton, Christow, Exeter. Moretonhampstead Parish Council – Mardon Down, Moretonhampstead.

Dorset: Milton Abbas. Berwick St John Parish Council. Wareham Town Council.

East Sussex: Battle (Battel Bonfire Boyes). Commercial Square Bonfire Society, Lewes. Bexhill on Sea. Willingdon and Jevington Parish Council – South Downs overlooking Willingdon. Hartfield Parish Council – Village Croft Green in the heart of the Village. Crowhurst Parish Council. Isfield and Little Horsted Bonfire Society – I.C.E. Field, Isfield. Beacon Ridge, Rye. Hamsey Parish Council – Lewes Beacon, Mount Harry, Lewes. 1st Horam Scout Group and Horam Parish Council – Horam Recreation Ground – Horam. Peacehaven Town Council, Peacehaven. Hartfield Parish Council, Hartfield. Andrew J Crotty and Brian Drayson – Galley Hill Beacon, Bexhill-on-Sea.

East Yorkshire: Hessle Town Council – Hessle Foreshore. Bishop Burton Parish Council. Holme Upon Spalding Moor. Burstwick Parish Council and Burstwick Village Hall Management Committee – Feastive Field, Burstwick. Rowley Parish Council – High Hunsley. Millington Cum Givendale Parish Council – Swineridge in Millington Village, Millington. Fridaythorpe Parish Council – Bottom of Mere Grange, Fridaythorpe.

Essex: Bulphan Recreation Ground, Essex. Alphamstone & Lamarsh Parish Council – Shrubs Farm, Lamarsh. Heybridge Parish Council – Plantation Hall, Heybridge, Maldon. Theydon Bois Parish Council - Theydon Bois Village Green, Theydon. ayne Community Group – The Swan Public House, Rayne. West Mersea Town Council – Victoria Esplanade, West Mersea, Colchester. Stapleford Abbots Parish Council – St Mary's Church, Stapleford Abbots. Great Waltham Parish Council, Great Waltham. Great Canfield Parish Council – Great Canfield Cricket Ground, Great Canfield. High Easter Parish Council – High Easter Playing Fields, High Easter. Purfleet-on-Thames Community Forum, Thurrock Council – The Green, west side of the Royal Hotel, Purfleet-on-Thames. Stanway Parish Council – Silver Witch Green, Stanway. Billericay Town Council – Sun Corner, Billericay. Colchester Borough Council – Castle Park, Colchester. Wickham St Paul Parish Council – Village Green, Wickham St Paul, Halstead. Great Tey Parish Council and Village Committee – Old Playing Field, Great Tey, Colchester. Rettendon Common, Rettendon, Chelmsford. Bradfield Parish Council - Bradfield Recreation Ground, Bradfield.

Gloucestershire: Badminton Estate. Chipping Sodbury Town Trust – The Ridings, Chipping Sodbury. St Edward's Church – Moreton-in-Marsh. Siston Parish Council – Siston Hill, Siston. Stow on the Wold Town Council - QEII Playing Field, Stow on the Wold.

Greater Manchester: Tameside and Glossop Integrated Care NHS Foundation Trust (Hospital). Stockport NHS Foundation Trust - Stepping Hill Hospital. Pennine Care NHS Foundation Trust. Oldham Council & Saddleworth Parish Council – Yarns Hill, Saddleworth (Greenfield Brass Band will be playing Die Regnare). Pennine Care NHS Foundation Trust. Carrington Parish Council – Carrington Parish Council Recreational Field, Carrington.

Hampshire: Isle of Wight. Wellington Estate. Hurst Castle (English Heritage). Porchester Castle (English Heritage). Hythe Marina Association – The Bund, Hythe Marina. Porchester Castle. Bramley Parish Council – Clift Meadow Park. Bramley. Portsmouth City Council – (lighting 2 Beacons). Binley Farms – Binley, Andover. Sherfield on Loddon Village Green Volunteers – Village Green, Sherfield on Loddon, Hook. Hound Parish Council – Cricket Field, Netley Abbey, Southampton. Damerham Parish Council, Damerham.

Acknowledgements

Beacons

Hertfordshire: Hatfield House, British Camp. Stevenage Borough Council. Aldenham Parish Council – Salters Field, Cobden Hill, Radlett.

Isle of Wight: Carisbrooke Castle (English Heritage).

Kent: Dover Castle (English Heritage), Ashford. Badlesmere Lees and Hall Committee – Badlesmere Lees (Parish Hall). Stockbury Parish Council – Church Farm, Stockbury, Sittingbourne. Sandgate Parish Council – Esplanade, John Moore Memorial, Sandgate. Upchurch Parish Council – Upchurch Recreation Ground. Headcorn Parish Council – Days Green, Headcorn. Bethersden Parish Council – The George Field, Bethersden. Elmsted Court Farm, Ashford. New Romney Town Council – The Greens, Littlestone, New Romney. Yalding Parish Council – Roof of St Peter & St Paul Church, Yalding, Maidstone. Eythorne Parish Council – Eythorne Railway Station, Shooters Hill, Elvington, Dover. Horton Kirby and South Darenth Parish Council – Heathside, South Darenth. High Halden Parish Council – High Halden Village Green, High Halden. Minster Parish Council – St Mary's Church, Church Street, Minster, Nr Ramsgate. Westgate on Sea Town Council. Hartlip Parish Council – Hartlip Village Hall, Hartlip. Gravesham Borough Council. Appledore Parish Council. Recreation Ground, Village Hall, Historic Society etc – Appledore Recreation Ground, Appledore. Hartley Parish Council. Hawkhurst Parish Council. Eastry Parish Council. Woodnesborough Parish Council. Lydd Town Council – The Pilot, Battery Road, Lynn on Sea, Dungeness. Ashford Borough Council. Chittenden Farm, Staplehurst. Sevenoaks Town Council – The Vine, Sevenoaks. Chilham Parish Council – Chilham, Shottenden, Old Wives Lees. Addington Parish Council – Addington Village Hall, Addington. Trottscliffe Parish Council – Village Hall, Trottscliffe. Brookland Parish Council – St Augustine's Church, Brookland, Romney Marsh. Crockenhill Parish Council – Village Green, Crockenhill. Canterbury City Council – Westgate Gardens, Canterbury. Seafront, Herne Bay. Seafront, Tankerton, Whitstable. Friends of Downe Activity Centre – Downe Activity Centre, Downe. Newchurch Parish Council – The Spinney, Romney Marsh. Hole Park Estate, Rolvenden – Windmill Farm, Rolvenden, Cranbrook. Chartham Parish Council – Chartham, Canterbury. Brenchley and Matfield Parish Council – Matfield Green, the Green, Matfield, Tonbridge. National Trust, White Cliffs of Dover – South Foreland Lighthouse, The Front, St Margaret's Cliffe. Swanley Town Council – Recreation Ground, Swanley. Upchurch Parish Council – Recreation Ground, Upchurch, Sittingbourne.

Lancashire: Duchy of Lancaster, Lancaster City Council, Lancaster Priory and Lancashire Lieutenancy Office – Lancaster Castle. Earby Town Council – Bleara Moor, Earby.

Barnoldswick Town Council. West Bradford Parish Council. Catterall Parish Council – Queen Elizabeth II Playing Field, Catterall, Garstang, Preston. Bolton Council.

Bibbs Farm Scout Camp Site and Activity Centre – Heath Charnock, Chorley. ROCA Committee – 21 Group Royal Observer Corps, Preston – Goosnargh, Preston.

Whittington Parish Council, Whittington. Grindleton Parish Council, Grindleton. Claughton-on-Brock Parish Council and Claughton Hall Estate – Cobble Hey, Claughton-on-Brock, Preston.

Browsholme Hall and Estate – Browsholme, Clitheroe. Hambleton Parish Council - Bob Williamson Park, Hamilton.

Leicestershire: Whitwick Scout Group – Whitwick. Glenfield Parish Council – Ellis Park, off Stamford Street, Glenfield. Belvoir Castle, Barkestone Wood.

Barkby & Barkby Thorpe Parish Council. Hinckley and Bosworth Borough Council – Argents Mead, Hinckley. Stoney Stanton Parish Council, Stanton.

Lincolnshire: Lincoln Castle. Scrivelsby Estate/Horncastle Town Council. Pinchbeck Memorial Ground – Opposite St. Mary's Church, Church Street, Pinchbeck. Manor Farm, Howell, Sleaford.

Deeping St James Parish Council – Jubilee Park, Thackers Way, Deeping St James. Elsham Parish Council. Worlaby Parish Council. Swayfield Parish Council – High Street, Swayfield.

North Scarle Parish Council – North Scarle. Haxey Parish Council. Lincoln Scout Group – Thorpe-on-the Hill. Barkston and Syston Parish Council – Barkston Heath Farm, Barkston. Collyweston Parish Council – Collyweston Slater, Collyweston, Stamford. Ludford Parish Council and Ludford Village Hall and Playing Field Association – Ludford Playing Field, Ludford, Market Rasen.

International Bomber Command Centre – The Memorial Spire, Bomber Command Centre, Lincoln. New Holland Parish Council, New Holland.

Allington Parish Council – Allington Playing Field, Allington, Grantham. Village of Fotherby. East Lindsey.

London: HM Tower of London. Lambeth Palace. Islington Council – Dartmouth Park, Dartmouth Park Hill.

Merseyside: St Helens Council – Taylor Park, Grosvenor Road, St Helens. Wirral Council, Wallasey.

Norfolk: Sandringham Estate. Holkham Hall. Norfolk Tank Museum. Potters Leisure Resort. Broad Farm, Salhouse, Norwich. Tharston Events, Tharston. F.A.I.T.H Animal Rescue - Willow Brooks, Stubb Road, Hickling, Norwich. Acle Bridge Inn, Acle. Cromer Town Council – Runtun Road Car Park, Cromer. Sir George Morse Park, Laundry Lane, Thorpe St Andrew, Norwich. Hockham Parish Council – Hockham Playing Field. The Lacon Arms, Seaview Road, Hemsby. Jay Jays's at the Beach Cafe, Gorleston-on Sea. South Norfolk Council – Shelfanger. Ashill Parish Council – The Green, Ashill, Thetford. Northrepps Parish Council. Rockland St Mary with Hellington Parish Council. Croxton Village Hall – Playing Field, rear of village, Croxton, Thetford.

Barnham Parish Council – Barnham CEVC Primary School, Barnham. Honing Estate, Honing. Thetford Town Council – Guildhall and Market Square, Thetford. Hilgay Parish Council. King's Lynn & West Norfolk Borough Council – Kings Staithe Square, South Quayside, King's Lynn. Hunstanton Town Council. North Wootton Village Hall – North Wootton.

Gordon Barrett – The Harbour, The Quay, Wells-next-the-Sea. Village of East Rudham, East Runham.

Caister Lifeboat Station & Caister-on-Sea Parish Council, Caister Lifeboat Station, Caister. Edgefield Parish Council, Edgefield. Fakenham Town Council – Millennium Park, Fakenham.

Acknowledgements

Beacons

Northamptonshire: Raunds Town Council, Raunds. Brackley Town Council – Brackley RUFC Clubhouse, Brackley.

North Yorkshire: Bolton Abbey. Tan Hill Inn. Pickering Castle (English Heritage). Richmond Castle (English Heritage). Scarborough Castle (English Heritage). Spofforth Castle Easingwold Town Council. Hauxwell Hall, Leyburn. Ripon Community Poppy Project – Ripon Market Square, Ripon. Hellifield Parish Council – Hellifield Haw. Riccall Parish Council – Riccall Park, Riccall. Barby and Osgodby Town Council – Wainhomes Playing Field. Burton in Lonsdale Parish Council. West Tanfield Village – West Tanfield. St George the Martyr Church, Scackleton, Ryedale. Eskdaleside cum Ugglebarnby Parish Council – Sleights Moor. Ripon Community Poppy Project, Ripon. Kirk Smeaton and Little Smeaton Community Event Club. Giggleswick Parish Council. Giggleswick. The Police Treatments Centre, St Andrews, Harrogate. Carthorpe Parish Council – Carthorpe, Bedale.

Northumberland: Alnwick Castle. Ford & Etal Estates, Ford, Berwick-upon-Tweed – Watchlaw Farm, Berwick-upon-Tweed. Longhorsley Parish Council – Longhorsley Village Green, Longhorsley. Howick Village Hall – Hips Heugh, Howick. Green Croft Arts – HADRIAN'S WALL - Green Croft, Gilsland, Brampton.

Nottinghamshire: Robin Hood Hill, Oxtun. North Leverton with Habbleshthorpe Parish Council – North Leverton Mindmill Field. Walesby Forest Activity Centre – Walesby, Newark.

Oxfordshire: Blenheim Palace. Henley on Thames Town Council. Westwell Parish Council. Croxden Parish Council. Brize Norton Parish Council. Highlands Farm Brightwell-cum-Sotwell – Highlands Farm, Brightwell-cum-Sotwell, Wallingford. Brightwell Baldwin Parish Meeting – Brightwell Baldwin. Grove Parish Council – Village Green, Grove.

Rutland: Caldecott Parish Council. Barrowden Parish Council – Village Green, Barrowden.

Somerset: Rotary Club of Taunton. Burrington Parist Council. Uphill Village Society – Tower, Uphill Hill. Long Ashton Community Association – Peel Park, Long Ashton Recreation Ground, Long Ashton. Milton Clevedon Parish Council. St Cuthbert (Out) Parish Council. Winscombe and Sandford Jubilee Committee – Winscombe and Sandford. Glastonbury Town Council – Glastonbury Tor. Porlock Parish Council – Porlock Recreation Ground, Porlock, Minehead. Ripland Farm, West Hatch, Taunton. Mid Somerset Show – Mid Somerset Showground, Cannards Grave, Shepton Mallett. Kingston Seymour Parish Council – Crossman's Wharf, alongside the Bristol Channel between Clevedon and Weston-super-Mare. Somerset Young Farmers – Godney Farm, Godney, Wells. Winford Parish Council – Felton Common.

Chard Town Council – Corner of junction north east of Crowshute Link and Michell Gardend, Chard. Wellington Town Council

South Yorkshire: Conisbrough Castle (English Heritage). Barnsley Metropolitan Borough Council - Owd Martha's Yard Community Garden Hoyland.

Maltby Town Council – Land between Victoria Street, Muglet Lane and Blyth Road, Maltby. Ulley Parish Council. Wales Parish Council. Hooton Pagnell Parish Council, Doncaster.

Conisbrough Parks Parish Council, Doncaster. Ulley Parish Council. Askern Town Council – Askern Lake, Askern. Ecclestone Parish Council. Ecclestone.

Penistone Agricultural Society Show – Penistone Agricultural Show Field, Penistone.

Shropshire: Sibdon Carwood Meeting. Trefonen Hill Walk - Mynydd Myfyr. Burwarton Estate – Summit of Brown Clee Hill (Highest point in Shropshire).

Prees Parish Council – Prees Cricket and Recreation Club, Prees. Loggerheads Parish Council – Loggerheads, Market Drayton.

Astley Abbots Parish Council – Cross Lane Head, Bridgnorth. Acton Burnell, Frodesley, Pitchford, Ruckley and Langley Parish Council – Burnell Bank.

Sansaw Estate and Clive Parish Council – Summit of Grinshill, Clive, Shrewsbury.

Staffordshire: Kingstone Jubilee Group – Kingstone Parish Council. Croxden Parish Council – Wood Farm, Greatgate, Tean. Tean Leys Farm – Bagals Ordinary Worms, Leigh, Stoke of Trent.

North Staffordshire Combine Healthcare NHS Trust, Stoke on Trent. Hixon Millennium Green Trust – Hixon Millennium Green, Hixon, Stafford. Brocton Parish Council, Brocton.

Suffolk: Framlingham (English Heritage). St Peter's Church, Carlton. Ringsford and Weston Parish Council – Russell Green, Ringsfield, Beccles.

Mendlesham Parish Council - Scout Site, Land adjacent to Green Road, Mendlesham Green. West Row Parish Council – Church Green, West Row. Polstead Parish Council. Eye Town Council.

Southwold Town Council – Gun Hill, Southwold. Sudbury Town Council – The Croft, Sudbury. Bungay Town Council – Bigod Castle, Bungay. Benhall & Sternfield Parish Council – Aldecar Lane, Benhall. Acaster Malbis Parish Council – Acaster Malbis, York. Woolpit Parish Council – Our Ladys Well, Woolpit. Flowton Parish Meeting – Flowton, Ipswich. Levington and Stratton & Stratton Parish Council – Church Field, Levington. Little Thurlow and Great Thurlow Parish Councils, Thurlow. Kessingland Parish Council – Roy Brown Garden, Beach Road, Kessingland.

Friston Parochial Church Council – Friston. Aldeburgh Town Council, Aldeburgh. Beccles Town Council – Beccles Quay, Beccles.

Surrey: Chiddingfold (Chiddingfold Bonfire Association). Woldingham Parish Council – Woldingham. Dormansland Parish Council – Dormansland Recreation Ground, Dormansland.

St Barnabas Church, Ranmore Common, Dorking. Caterham Festival – Westway Common, Caterham. Pirbright Parish Council – Village Green, Pirbright.

Tandridge Parish Council – Tandridge Village, Tandridge.

Acknowledgements

Beacons

Tyne and Wear: Tynemouth Priory (English Heritage). Easington Lane Community Access Point – ELCAP, Brickgarth. Salvation Army Swan Lodge – Sunderland.

Warwickshire: Burton Green Residents' Association, junction of Cromwell Lane and Red Lane, Burton Green. Fillongley Parish Council.

The Queen's Platinum Jubilee Committee and Atherstone Town Council – Atherstone. Alcester Town Council and Alcester Royal British Legion – Alcester Centenary Field, Alcester.

West Midlands: The Royal Orthopaedic Hospital NHS Foundation Trust – Bristol Road South, Northfield, Birmingham.

West Sussex: Arundel Castle, Burges Hill (Burgess Hill Bonfire Society). Bognor Regis Town Council. Cowdray Estate – Cowdray Park, Midhurst.

Ashurst Wood Village Council – John Pears Field, Ashurst Wood. Boxgrove Parish Council - Halnaker Windmill - Halnaker.

West Yorkshire: Horsforth Town Council – Hall Park, Horsforth. City of Bradford Metropolitan District Council. Friends of Cliff Recreation Ground – Cliff Recreation Ground, Holmfirth.

Cookhill Parish Council – Cookhill Village Hall, Cookhill, Alcester. Kippax Parish Council – Cheney Basin, Kippax, Leeds.

Wiltshire: Old Sarum. Maiden Bradley with Yarnfield. Amesbury Town Council. Netheravon Parish Council. Little Somerford Parish Council. Latton Parish Council - Playing Field, Latton.

Melksham Town Council. Devizes Town Council – Roundway Hill, The Plantation, Devizes. Winterslow Parish Council – Winterslow Recreation Ground, Winterslow.

All Cannings Parish Council – Cliffords Hill, All Cannings. Steeple Langford Parish Council, Steeple Langford. West Tisbury Parish Council - Newtown, West Tisbury.

Worcestershire: Beacon Hill, Worcester. Spetchley Park and Gardens Estate. Spetchley Park and Gardens Estate. Wythall Community Association. Stock & Bradley Parish Council.

Hanley Broadheath - Top Horse Pasture, Court Farm, Hanley, Childe.

SCOTLAND

Aberdeenshire: Balmoral Castle. Hill of Tillymorgan Gulsalmond. Turriff & District Community Council – Turriff Showground, Turriff. Inverurie Pipe Band – Bennachie Hill, Inverurie.

Angus: Kinnaird Castle.

Argyll: Inveraray Castle.

Clackmannanshire: Menstrie Scout Group – Top of Dumyat Hill, Menstrie.

Dumbartonshire: The Police Treatment Centre – Castlebrae, Auchterarder.

Fife: St Monans (Coastwatch Scotland St Monans Unit). Royal Naval Association Rosyth & West Fife Branch - Hillend Playpark

North Ayrshire: Irvine (Coastwatch Scotland – Irvine Unit). Beith and District Community Council.

Perthshire: Blair Castle and Cardens

Roxburghshire: Roxburgh Estate.

Shetland Islands: Unst.

South Lanarkshire: Rutherglen West and Wardlawhill Parish Church.

West Lothian: West Lothian Council – Beecraigs Country Park, Linlithgow, West Lothian.

Acknowledgements

Beacons

WALES

Brecknockshire: Pen-y-Fan.

Cardiff: Cardiff Castle.

Ceredigion: Cyngor Cymuned Aberporth Community Council – Penrhodyn, Aberporth.

Denbighshire: Rhuddlan Town Council.

Gwynedd: Abergwyngregny Regeneration Company – Abergwyngregyn.
Neath Town Council – Neath Castle Gardens, Neath.

Mid Glamorgan: Garth Hall Farm and Garth Fawr Farm, Cilfynydd, Pontypridd.

Monmouthshire: Cyngor Dinas Casnewydd/Newport City Council.

Pembrokeshire: St Davids City. Marloes Community Council – Beacon Field, Marloes.

Pembroke Dock Town Council. Milford Haven Town Council. Solva Community Council – Solva, Little Valley, Wiston, Haverfordwest. Neyland Town Council. Letterston Community Council, Letterston.

Powys: Llanfair Caereinion Town Council – Llanfair Caereinion. Llanelwedd Community Council – On Hill, at Maengowyn Farm, Llanelwedd Builth Wells.

Vale of Glamorgan: Penarth Town Council, Penarth Clifftops, Penarth. Llantwit Major Town Council.



NORTHERN IRELAND

County Fermanagh: Eniskillen Castle.

County Tyrone: Caledon Castle.



CHANNEL ISLANDS

Isle of Sark, States of Alderney,
States of Guernsey, Isles of Scilly,
Isle of Herm, Isle of Jethou,
the Government of Jersey.

ISLE OF MAN

Snaefell.



Photograph: Lisburn & Castlereagh City Council.

The Hillsborough Fort Guard, who will be attending a Beacon lighting event, location TBC, 2nd June 2022.



Photograph: Lisburn & Castlereagh City Council.

Hillsborough Fort Guard
Sergeant Major P F Shields (Former Major - Irish Guards).

Acknowledgements

Beacons

UK OVERSEAS TERRITORIES



ANGUILLA



FALKLAND ISLANDS



ASCENSION ISLAND



GIBRALTAR



BERMUDA



SAINT HELENA



BRITISH VIRGIN ISLANDS



**SOUTH GEORGIA &
THE SOUTH SANDWICH ISLANDS**

King Edward Point, South Georgia



CAYMAN ISLANDS



TRISTAN DA CUNHA

(The world's most remote inhabited island)



CYPRUS

Episkopi Garrison



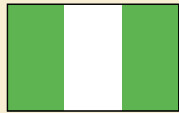
TURKS AND CAICOS ISLANDS

Acknowledgements

Beacons

COMMONWEALTH CAPITAL CITY BEACONS Regions

AFRICA



Nigeria

City - Abuja
Rotary District 9125
District Governor Ayoola Oyedokun



Ghana

City - Accra
Rotary District 9102
Past Assistant Governor Andrews Jack Dotsey



The Gambia

City - Banjul
Rotary District 9101
District Governor Christopher Forster



Tanzania

City - Dar es Salaam
Rotary District 9214
District Governor Young Kimaro



Coordinators: Rotary in London District 1130
District Governor – Selwyn Forman
Assistant Governor – Sreetharan Vallipuram

Rotary Districts involved



Sierra Leone

City - Freetown
Rotary District 9101
District Governor Christopher Forster



Botswana

City - Gaborone
Rotary District 9400
District Governor Stella Anyangwe



Uganda

City - Kampala
Rotary District 9213
District Governor John Ndamira Magezi



Rwanda

City - Kigali
Rotary District 9150
District Governor Edgar Cyr K. Tougouma



Malawi

City - Lilongwe
Rotary District 9210
District Governor Victor Mensah



Eswatini

City - Lobamba, Mbabane
Rotary District 9400
District Governor Stella Anyangwe



Zambia

City - Lusaka
Rotary District 9210
District Governor Victor Mensah



Mozambique

City - Maputo
Rotary District 9400
District Governor Stella Anyangwe

Acknowledgements

Beacons



Lesotho

City - Maseru

Rotary District 9370

District Governor Madeleine (Maddy) Webber



Kenya

City - Nairobi

Rotary District 9212

District Governor Alex Nyaga



Mauritius

City - Port Louis

Rotary District 9220

District Governor Dinesh Gajeelee



South Africa

City - Pretoria

Rotary District 9400

District Governor Stella Anyangwe



Seychelles

City - Victoria

Rotary District 9220

District Governor Dinesh Gajeelee



Namibia

City - Windhoek

Rotary District 9350

District Governor Ian Robertson



Cameroon

City - Yaoundé

Rotary District 9150

District Governor Edgar Cyr K. Tougouma

ASIA



Brunei Darussalam

City - Bandar Seri Begawan

Rotary District 3310

District Governor Dolly Yeap Siew Keat



Sri Lanka

City - Colombo

Rotary District 3220

District Governor Aruni Malalasekara



Bangladesh

City - Dhaka

Rotary District (3281)

District Governor Mutasim Billah Faruqui

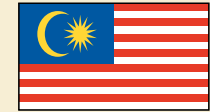


Pakistan

City - Islamabad

Rotary District 3272

District Governor Saifullah Ejaz Chouhdary



Malaysia

City - Kuala Lumpur

Rotary District 3300

District Governor Dato' Bindi Rajasegaran



Maldives

City - Male

Rotary District 3220

District Governor Aruni Malalasekara



India

City - New Delhi

Rotary District 3011

District Governor Anup Mittal



Singapore

City - Singapore

Rotary District 3310

District Governor Dolly Yeap Siew Keat

Acknowledgements

Beacons

CARIBBEAN & THE AMERICAS



St Kitts and Nevis

City - Basseterre, Charlestown
Rotary District 7030
District Governor Sonya Alleyne



Belize

City - Belmopan
Rotary District 4250
District Governor Nominee Maria Price
Immediate Past District Governor Orlando Burns



Barbados

City - Bridgetown
Rotary District 7030
District Governor Sonya Alleyne



St. Lucia

City - Castries
Rotary District 7030
District Governor Sonya Alleyne



Guyana

City - Georgetown
Rotary District 7030
District Governor Sonya Alleyne



Jamaica

City - Kingston
Rotary District 7020
District Governor Louis Wever



St. Vincent and The Grenadines

City - Kingstown
Rotary District 7030
District Governor Sonya Alleyne



Bahamas

City - Nassau
Rotary District 7020
District Governor Louis Wever



Canada

City - Ottawa
Rotary District 7040
District Governor Fay Campbell



Trinidad and Tobago

City - Port of Spain
Rotary District 7030
District Governor Sonya Alleyne



Dominica

City - Roseau
Rotary District 7030
District Governor Sonya Alleyne



Grenada

City - Saint George's
Rotary District 7030
District Governor Sonya Alleyne



Antigua and Barbuda

City - Saint John's
Rotary District 7030
District Governor Sonya Alleyne

Acknowledgements

Beacons

EUROPE



Cyprus

City - Nicosia
Rotary District 2452
Deputy District Governor Peter Ashdjian



Malta

City - Valletta
Rotary District 2110
Past District Governor John De Giorgio

PACIFIC



Samoa

City - Apia
Rotary District 9920
District Governor Steve Chaney



Australia

City - Canberra
Rotary District 9705
District Governor Leo Farrelly



Tuvalu

City - Funafuti
Rotary District 9920
District Governor Steve Chaney



Solomon Islands

City - Honiara
Rotary District 9600
District Governor Wendy Protheroe



Tonga

City - Nuku'alofa
Rotary District 9920
District Governor Steve Chaney



Papua New Guinea

City - Port Moresby
Rotary District 9600
District Governor Wendy Protheroe



Vanuatu

City - Port Vila
Rotary District 9910
District Governor Grant Smith



Fiji

City - Suva
Rotary District 9920
District Governor Steve Chaney



Kiribati

City - Tarawa
Rotary District 9920
District Governor Steve Chaney



New Zealand

City - Wellington
Rotary District 9940
District Governor Mark Wheeler



Nauru

City - Yaren
Rotary District 9600
District Governor Wendy Protheroe

BEYOND THE COMMONWEALTH



Hawaii

City - Honolulu
Rotary District 5000
District Governor Sandy Matsui

Pipes & Drums - Roll of Honour

PLAYING OF DIU REGNARE

(Written by Pipe Major Stuart Liddell, Glenfiddich Champion Piper)

McCallum Bagpipes are delighted to support The Queen's Platinum Jubilee Beacons and in particular, the playing of Diu Regnare kindly written for this historic occasion by Pipe Major Stuart Liddell. Such an important milestone in The Queen's reign is of immense importance.

We are also pleased to supply a unique set of McCallum's MacRae SL4 Bagpipes by Stuart Liddell, complete with bag and maintenance kit, fully inscribed, for the piper that undertakes the playing of this unique tune from the most unusual location, at 9.09pm local time in the country they are in on 2nd June next year, as part of this unique celebration.



ENGLAND

Pipe Sergeant Ian Solesbury, City of Norwich Pipe Band – (Martham, Norfolk)
Pipe Major Simon Cater, Great Yarmouth Pipers – (Gorleston-on-Sea, Great Yarmouth, Norfolk)
Piper Allen Clement, Greenhead – (Haltwhistle, Northumberland)
Pipe Major Roger Bayes, City of Norwich Pipe Band

City of Leeds Pipe Band – (City of Leeds, West Yorkshire)

Pipe Major Andrew Neal
Pipe Sergeant Mhairi Sellar
Piper Alex Thomson
Piper Bob Green
Piper Danny Love
Piper David Danks
Piper George Anderson
Piper Gordon Laycock
Piper Jim Jack
Piper Paula Howes
Piper Richard Ashcrough
Piper Robert Lawson
Piper Robert Procter
Piper Sam Westerman
Drummer Lead Tip Billy MacDonald
Drummer Amanda Liberty
Drummer George Harrison

Piper Robert Procter,
City of Leeds Pipe Band.



Pipes & Drums - Roll of Honour

Drummer Ian Turner
Drummer Stuart Richmond
Drummer Thomas Gallagher

Piper Joann Goddard (Essex)
Piper Ken Beamer (St Helens, Merseyside)
Piper Jacob Millin (Cromer, Norfolk)
Piper Ian White (Willingdon & Jevington Parish Council, East Sussex)
Piper Mungo Akerman (Brightling, East Sussex)
Piper W Miller (Kingstone, Staffordshire)
Piper Mike Mackay, No band (Inverurie, Aberdeenshire)
Piper Gerard McDonald, Reading Scottish Pipe Band (Wokingham, Berkshire)
Piper Stephen Beattie (Alsager, Cheshire)
Piper Don Earl (St. Dennis, Cornwall)
Piper Brian Ross (High Bickington, Devon)
Piper Alex Drummond, Ringwood Pipe Band (Christchurch, Dorset)
Piper Angus O'Donnell (Pocklington, East Yorkshire)
Piper Gavin Davis, Pentland Caledonia (Currie, Edinburgh)
Piper Andrew MacGregor, The Essex Bagpiper (Braintree, Essex)
Piper Joanne Goddard (Bulphan, Essex)
Piper Steve Law (Norwich, Norfolk)
Piper Jacky Barnett (Pitstone, Buckinghamshire)
Piper Corinne Thomson (Romsey, Hampshire)
Piper Laura McEwan, Scots Guards Association (South). (Totland Bay, Isle of Wight)
Piper Mark Baker, Liverpool Clan Wallace Pipe Band (Liverpool, Merseyside)
Piper Graham Botcher, Glenmoriston Pipe Band (Attleborough, Norfolk)
Piper Steve Law (Norfolk)
Piper Hugh Gillies, North Yorkshire Fire and Rescue Pipe Band (West Tanfield, North Yorkshire)
Piper Mark Harrison (Nuthall, Nottinghamshire)
Piper Rod Caird (Henley, Suffolk)

Britannia Pipe Band (Feldsted, Essex)

Piper Iain Geddes
Piper James Geddes
Piper Victoria Geddes
Piper Janet Johnston
Piper Kier Johnston
Piper Lorna Johnston

Piper Ian Anderson (Southend-on-Sea, Essex)
Piper Ken Fitzpatrick (Dunston, Gateshead)
Piper Ed Arnold, Tameside and Glossop Integrated Care NHS Foundation Trust (Ashton-Under-Lyne, Greater Manchester)
Piper Pauline Nash, Rose Fletcher Ladies Pipe Band (Moston, Manchester, Greater Manchester)
Piper Bernadette Smith, St Andrews Pipe Band (Hamble, Hampshire)
Piper David Smith (Horndean, Hampshire)
Piper Finn Miller (Winchester or North Waltham, Hampshire)
Piper Keith Wellings (Hope under Dinmore, Herefordshire)
Piper George Carr, Harpenden Pipe Band & RAF Bruise Norton Pipes and Drums (Borehamwood, Hertfordshire)
Piper Charles Mackie, Black Watch London (Dartford, Kent)
Piper Ryan Guthrie, City of Preston Pipes and Drums (Lancaster, Lancashire)
Piper Colin Murphy, Manchester Community Pipe NAND (Leigh, Lancashire)
Piper Philip Da Silva, Piper ex Preston Pipes & Drums (Lytham St Annes, Lancashire)
Piper Alan Webster (Preston, Lancashire)
Piper Iain Cairn MacGillivray Sutherland (Whittington, Carnforth, Lancashire)
Piper Sally Mason (Ancaster, Lincolnshire)
Piper Peter Abbott, Grimsby and District Pipe Band (Grimsby, Lincolnshire)

The Great Yarmouth Pipers (Gorleston, Norfolk)

Pipe Sergeant Tom Foster
Pipe Corporal Adrian Nicholls
Piper Stanley King

Piper Jan Hawkins, The Highland Pipes and Drums Ensemble (Hingham, Norfolk)
Piper John Innes (Stoke Holy Cross - Exact Location To Be Confirmed, Norfolk)
Piper Aidan Hindley, Solo (Belton, Doncaster, North Lincolnshire)
Piper John O'Boyle (New Holland, North Lincolnshire)
Piper John Anderson (Weedon Bec, Northamptonshire)
Piper William Patrick (Weedon Bec, Northamptonshire)
Piper Gill Lyons, Alnwick Pipers Society (Alnwick, Northumberland)
Piper Andrew Miller, Rothbury Highland Pipe Band (Rothbury, Northumberland)
Piper Steven Purchase, Seaforth Highlanders Notts Branch (Mansfield, Nottinghamshire)
Piper Kal Vaikla, Seaforth Highlanders Nottingham Branch (Mansfield Woodhouse, Nottinghamshire)
Piper Stuart Gullen, Seaforth Highlanders Notts&Leicester Branches (Mansfield Woodhouse, Nottinghamshire)
Piper John Roulstone (Nottingham, Nottinghamshire)

Pipes & Drums - Roll of Honour

Piper Vicki Kennerley, Wolverhampton Pipeband (Nottinghamshire)
Piper Harry Gow, Oxford Pipe Band (Brightwell-cum-Sotwell, Oxfordshire)
Piper Prof Alan F Harrison (Charlbury, Oxfordshire)
Piper William Mackenzie Smith, Reading Scottish Pipe Band (Oxford, Oxfordshire)
Piper Angus Whittied, Oxford Caledonian Pipe Band (tbc, Oxfordshire)
Piper Casper Whitfield, Abingdon School (tbc, Oxfordshire)
Piper Tony Hurst, The Wiltshire Piper (Uffington, Oxfordshire)
Piper James Buchanan (Belton in Rutland, Rutland)
Piper Jim Stanley, Harbour Pipes and Drums (Hedge End, Southampton)
Piper Graham Prebble, RAF Pipes & Drums (TBC, TBC)
Piper Alan Robinson (Newcastle upon Tyne, Tyne and Wear)
Piper Alex Brennan, 102 R.E.M.E. Battalion Pipes and Drums. (Whitley Bay, Tyne and Wear)
Piper Peter Lambert, City of Bradford Pipe Band (Rawdon, Leeds, West Yorkshire)
Piper Dave Surtees (Chilmark, Wiltshire)
Piper Ian Mitchell (Thornton Bradford, Yorkshire)
Piper Jaqueline Mitchell (Thornton Bradford, Yorkshire)
Piper Brian McGivenor (Town Square, Shefford, Bedfordshire)
Piper Ivan Brooks – (Hartlip Village Hall, Hartlip, Kent)
Piper Tricia Drawbridge – (Sudbury Town Piper, Sudbury, Suffolk)
Piper Robert Wilson – Samlesbury Memorial Hall, Preston)
Piper James Meiklejohn (Siston, Gloucestershire)
Piper Ivan Hubbard (Bassingbourn-Cum-Kneesworth, Cambridgeshire)
Piper Bill McKay (Urmston, Manchester)
Piper Ray Russell (Thetford and Hockwold cum Wilton, Norfolk)
Piper Sue Ribson (Brightwell-cum-Sotwell, Oxfordshire)
Piper Tricia Drawbridge, Sudbury Town Piper (Sudbury, Suffolk)
Piper Roland Lawson (Carlisle, Cumbria)
Piper Ivan Brooks, Hartlip Parish Council (Hartlip, Kent)
Piper Andy Burton, Friends of Cliff Recreation Ground (Holmfirth, West Yorkshire)
Piper Robin Bartholomew, St Andrews Pipe Band, Hamble le Rice (Hamble, Hampshire)
Piper Graham MacAusland, Flt Lt RAF (Retd), (Southwold, Suffolk)
Piper David Gillingwater, Aldeburgh Town Council (Aldeburgh, Suffolk)
Piper Bernard Farmer, Bolton Caledonia Pipe Band (Irlam, Manchester, Lancashire)
Piper Andy Raeburn, Bolton Caledonia Pipe Band (Irlam, Manchester, Lancashire)
Piper Colin King, City of Preston Pipes and Drums (Preston, Lancashire)
Piper Will Bissett (Englefield Green or Windsor Great Park, Surrey)
Piper George Rokahr, Retired (Old Catton, Norwich, Norfolk)
Piper John Gabbetis, City of York Pipe Band (Stamford Bridge York, York)
Piper Pete Murray-Jones (Lee-on-the-Solent, Hants)
Piper Finlay MacGhee, International Bomber Command Centre (Lincoln, Lincolnshire)

Piper Ken Fitzpatrick (Dunston, Gateshead)
Piper Ian Pool (Telford, Shropshire)
Piper Susan Craven, Northumbrian Smallpipes (Northumberland)

Kernow Pipes and Drums

Pipe Major Nigel Warmington
Piper Adam Bowkett
Piper Matthew Campbell
Piper John Christophers
Piper Alex Dryden
Piper Craig Davidson
Piper Allan Downie
Piper Keith Garner
Piper Mike Heaslip
Piper Felicity Hood
Piper David Hutchison
Piper Don Lewis
Piper David Maitland
Piper Alec McColl
Piper Ali Robinsor
Piper Emma Stringer
Drummer Steve Dowley – Lead Tip
Drummer Henry Bowkett
Drummer Matthew Bennetts
Drummer Vic Coop
Drummer Kelvyn Cruddace
Drummer Anita Nall
Drummer Chris Nixon
Drummer Sue Robertson
Drummer Shoalie Taylor
Drummer Ed Watson

Northumbrian Pipers

Northumbrian Piper Andrew Davison OBE – Chairman, Northumbrian Pipers' Society – (Hexham, Northumberland)
Northumbrian Piper Tom Fairfax – (Mindrum, Northumberland)
Northumbrian Piper Freddie Fairfax – (Uppingham, Rutland)
Northumbrian Piper Dr Gill Jennifer Lyons – (Alnwick, Northumberland)
Northumbrian Piper – Philippa Sinclair
Northumbrian Piper Anne Ramsay – (Heaton, Newcastle upon Tyne)

Pipes & Drums - Roll of Honour

Northumbrian Piper David Stych – (Kirby Misperton, North Yorkshire)
Northumbrian Piper Helen Capes – (President, New Zealand Northumbrian Pipers Society)
Northumbrian Piper Moira Hague – (Macclesfield, Cheshire)
Northumbrian Piper Louise Woodman (Gosforth, Newcastle-upon-Tyne)
Northumbrian Piper Susan Craven (North Broomhill, Northumberland).
Northumbrian Piper Jim Fenwick (Alnwick, Northumberland)

Clanaulder-Clayton Pipers (Clayton, Bradford, West Yorkshire)

Piper John Balderson
Piper Keith Davey
Piper Ian Derick
Piper Ken Oldfield

City of Bradford Pipe Band (Bradford, West Yorkshire)

Piper Anne Betty
Piper Ben Gillan
Piper Bob Jenkins
Piper Peter Lambert
Piper Barbara Leddy
Piper Ian Sabiston
Drummer Adam Fenton
Drummer Jim Leddy
Drummer Andy Newton
Drummer Robert Newton
Drummer Vicky Reynolds
Drummer Paul Tyson
Drummer Val Wolff



SCOTLAND

Pipe Major Stuart Liddell, Inveraray & District Pipe Band – (Inveraray, Argyll and Bute)
Ross Ainslie – (Glasgow)
Pipe Sergeant Gordon Casely, Banchory Pipe Band –
(Nine Stanes Stone Circle, Banchory, Kincardineshire)
Piper Martin Johnstone, Piper to the Braemar Royal Highland Piping Society – (Princess Royal
Duke of Fife Memorial, Braemar, Aberdeenshire)
Piper Peter Wood – (Sandwick, Shetland Islands)

Piper William McCallum – Bearsden, East Dumbartonshire – (Cambeltown, Argyll & Bute)
Pipe Major Ben Duncan – Royal Scots Dragoon Guards Pipes and Drums
Pipers Stuart McCallum & Piper Kennie MacLeod – McCallum Bagpipes (Kilmarnock, East Ayrshire)
Piper Archie Cowie, 9 years old – Banchory Pipe Band (From the summit of Bennachie, Aberdeenshire)

Delgatie Castle Pipers (Delgatie Castle, Turriff, Aberdeenshire)

Pipe Major Lady Jane MacRae
Drum Major Alexander Aitken
Pipe Sergeant Stuart Thomson
Piper James Mason
Piper Richard Learmouth
Piper Andrew MacKenzie
Piper Joan Johnson
Piper Melenie Horridge
Piper Chris Horridge

Gordonstoun Pipe Band - Moray

Pipers Jacqueline Gibson
Piper Michael MacLugash (Alford, Aberdeenshire)
Piper Pamela Rotheroe-Hay, Ballater and District Pipe Band (Balmoral, Aberdeenshire)
Piper Donald Downie (West Mains of Ethie, Angus)
Piper Scott Wilson, Dunoon Argyll PipeBand (Dunoon, Argyll)
Piper Duncan MacLeod, Dunoon Argyll Pipe Band (Sandbank,, Argyll)
Piper Andrew (Drew) Crockett, Playing solo (current member of Helensburgh CC Pipe Band and
formerly the Argyll & Sutherland Highlanders Pipe Band) (CARDROSS, Argyll & Bute)
Piper John Bissett (Barrhill, Ayrshire)
Piper John Stewart (Irvine, Ayrshire)
Piper Grant Angus (Crovie, Banff)
Piper John Duthie, Glasgow Highland Club (Glasgow, City of Glasgow)
Piper Alexander Brodie (Dundee, Dundee)
Piper Gavin Halliday (Glasgow, East Dumbartonshire)
Piper Flynn Porter (Lenzie, East Dumbartonshire)
Piper John McIntyre, Dunfermline & District (RBL Scot) Pipe Band (DUNFERMLINE, Fife)
Piper Brooklyn Morris, Burntisland & District Pipe Band (Hillend, Fife)
Piper Paul Hendry, Unattached (Rosyth , Dunfermline, Fife)
Piper Tabby Angier (Drumadrochit, Highlands)
Piper Gavin Robertson, Solo Inverness British Legion Ps & Ds (Inverness, Inverness-shire)
Piper William Shaw, Last of the Summer Wine Pipers (Glasgow, Lanarkshire)
Piper Calum Macleod, Lothian and Border Pipe and Drums (Danderhall, Midlothian)
Piper Richard Montgomery, Glencorse pipe band (Mayfield, Midlothian)

Pipes & Drums - Roll of Honour

Piper Alan Harrison, Comrie Pipe Band (Comrie, Crieff, Perth & Kinross)
Piper Stuart Letford (Dunkeld, Perth & Kinross)
Piper Diarmid Mackenzie Smith (Methven, Perthshire)
Piper Jonathan Stranix, City of Inverness (Ullapool, Ross and Cromarty)
Piper Andrew Wallace, Strathendrick Pipe Band (Strathblane, Stirlingshire)
Pipe Major Scott Methven, Former Queen's Piper (Thornhill, Stirlingshire)
Piper Lorna Doig (Dundee, Tayside)
Piper Martin Doig (Dundee, Tayside)
Piper Mark Morrison (Dumbarton, West Dunbartonshire)
Piper John Johnstone (Legion Hall, Wilkieston, Kirknewton, West Lothian)
Piper Ross Colquhoun, Uphall Station Pipe Band (Uphall Station, West Lothian)
Piper Gordon McCready (Renfrew, West Renfrewshire)
Piper John Paton – (Rutherglen West and Wardlawhill Parish Church - Lanarkshire)
Piper Gerry Swan (Perth, Perthshire)
Piper Lynzie Mack (Top of Dumyat Hill, Menstrie Clackmannanshire)

Banchory and District Pipes and Drums (Banchory, Aberdeenshire)

Pipe Major Andy Cowie
Piper George Alne
Piper Stuart Archer
Piper Don Black
Piper Harry Chalmers
Piper Freya Coughlin
Piper Ronny Coughlin
Piper Gordon Cruikshank
Piper Karina Dublowski
Piper Renzo Girardi
Piper Jack Hardy
Piper Kieran Hopkins
Piper Kevin Jappy
Piper Jack Lawrence
Piper Jeff Lawrie
Piper Tom Lawrie
Piper Mike Mecham
Piper Nicky Morrisey
Piper Brian Morrison
Piper John Murray
Piper Dan Pewter
Piper George Pierce
Piper Ed Richmond

Piper Lynette Ross
Piper Michael Sawston
Piper Daisy Shaju
Piper Neil Shaju
Piper Lee Taylor
Piper Stewart Thompson
Drummer Anna Aitken
Drummer Patrick Bridges
Drummer Bryan Crighton
Drummer Neil Ferguson
Drummer Alison Geddes
Drummer Alec Hunter
Drummer Ian Mullen
Drummer Ross Munro
Drummer Bill O'Shea
Drummer Tony Sinclair
Drummer Chris Stockdale
Drummer Gordy Thompson

Pipe Major Ian Stuart, Huntly and District Pipeband (Huntly, Aberdeenshire)
Piper Raymond Munro, Solo Piper (Inverurie, Aberdeenshire)
Piper Drew McLellan, Kintyre Schools Pipe Band (Campbeltown, Argyll and Bute)
Piper Graeme Ross, Solo (Alloa, Clackmannanshire)
Piper James White, Dfs woodworks (Dumfries, Dumfries and Galloway)
Piper Ronnie Dinsmor (Baillieston, Glasgow)
Piper Duncan Lamont, HM Forces - Royal Corps of Signals (St Fillans, Crief, Perthshire)
Piper Greg Stewart, Strathendrick Pipe Band (Strathblane, Stirlingshire)
Piper Major Mark Black, Royal Corps of Signals Pipes and Drums
Pipe Major Alan Mackenzie, Isle of Skye Pipe Band (Portree, Isle of Skye)
Piper Lewis Kinnell, Boghall and Bathgate Caledonia Pipe Band (Eliburn Livingston, West Lothian)
Piper Fiona Caldwell (Hopeman, Moray)
Piper Scott Manson (Ayr, Ayrshire)
Piper Fraser Cruikshank, Hoddum & Kinmount Estate (Lockerbie, Dumfries and Galloway)
Piper James Gillies (Midlothian)
Piper Gemma McVey, Overtown Parish Church (Overtown, North Lanarkshire)
Piper Janette Greenwood (Springs, South Ayrshire)
Piper Neil Swan, Neil Swan Piping Services (Gorebridge, MidLothian)
Piper Bob Rayson (Leith, Edinburgh)
Piper Kaya Tatar, Caledonian Piping Club (Saltcoats, Ayrshire)
Piper Alistair Graham, Dunfermline and District (RBL Scot) Pipe Band (Tillicoultry, Clackmannanshire)

Pipes & Drums - Roll of Honour

Piper Ian Milne, East Kilbride Pipe Band (Rowardennan, Trossachs)
Piper Iain Cox, Troon Blackrock Pipe Band (South Ayrshire)
Piper Richard Fairnie (Stenton, East Lothian)
Piper Steven MacQueen, Lewis (Stornoway, Isle of Lewis)



WALES

Pipe Major David Clement QPM, Pipes & Drums of the Tyneside Scottish TA Band – (Gowerton, South Wales)
Piper Sean Slater – (Olmarch, Ceredigion)
Piper Graham Phillips – (Pembroke Dock Town Council, Pembrokeshire, Wales)



NORTHERN IRELAND

Pipe Major Richard Parkes MBE, Field Marshall Montgomery Pipe Band
Piper Kristian Hanna, Pipes and Drums of the Police Service of Northern Ireland (Ballymena, Antrim)
Piper Grahame Harris, Campbell College Pipes and Drums (Belfast, County Antrim)
Piper Andrew McIlwaine, Tullylagan Pipe Band (Magheramason, Londonderry)



ISLE OF MAN

Piper Vladimir Stefanov, Vlad the Piper (St. Johns, Isle of Man)
Piper Paul Davenport, Skirl Pipers (Isle of Man)
Piper Steve Cretney



JERSEY

Piper Gregor Allan, Jersey Pipe Band (St. John's Village, Jersey)



AUSTRALIA

Pipe Major Alisdair McLaren, West Australian Police Force – (Perth)
Pipe Major Matt Fraser, Hawthorn Pipe Band – (Melbourne)
Piper Laura Johnstone, Inveraray & District Pipe Band – Sydney)
Australian Federal Police Pipes & Drums (Canberra, Australia)
Pipe Major Spephen Ladd
Pipe Sergeant Nicole Koenig
Pipe Corporal Michael Challen
Drum Major Steven Terrance
Drum Sergeant Michelle Hecker
+ (12-16 Pipers & 6-8 Drummers)

Piper Alister Smith, Maclean & District Pipe Band (Maclean, New South Wales)
Piper Geoffrey Kinchin, Rainbow Celtic Folk (Taree, New South Wales)
Piper Mark Gerber (West Pennant Hills, New South Wales)
Piper Kane Johnston, Gladstone Thistle Pipe Band (Biloela, Queensland)
Piper Charlie Elliott (Brisbane, Queensland)
Piper Pete Murray (Caloundra, Sunshine Coast, Queensland)
Piper Barry Baldwin (Maroochydore, Queensland)
Piper David Moody, Ormiston Heritage Pipes and Drums (Scarborough, Queensland)
Piper Ian Reid, RSL Memorial Pipes & Drums Townsville (Townsville, Queensland)
Piper Don Ormiston, Ambulance Victoria pipes and drums (Melton, Victoria)
Piper Alistair MacCallum, Sale RSL Pipe Band (Sale Victoria, Victoria)
Piper Darral Wilkie (Hillside Garden Village, Mount Richon, Western Australia)
Piper Andrew Head (Winthrop, Western Australia)
Piper Cameron Bell, Professional Bagpipe Services - Australia (Malua Bay, New South Wales)
Piper James Black (Brisbane, Queensland)
Captain Lionel Boxer, 5/6 RVR Pipes and Drums (South Melbourne, Victoria)
Piper Christopher Tabram, The Highlands Pipes and Drums (Robertson, New South Wales)
Piper Stuart Ross (Launceston, Tasmania or Western Australia at sea)
Piper Oliver Calman (Sydney, New South Wales)

Pipes & Drums - Roll of Honour



AUSTRIA

Piper Stefan Kühnel (Grödig, Salzburg)



BELGIUM

Piper Rudi Driesen, Clan Hay Pipe Band (Stabroek, Antwerpen)



BRAZIL

Brasil Caledonia Pipe Band

Piper Pedro Arthur Suave, (Monte Verde, Minas Gerais)

Piper Cristiano Bícudo (Campos do Jordão, São Paulo)

Piper Carlos Miranda, Brasil Caledonia Pipe Band (City of São Paulo, State of São Paulo)



BULGARIA

Piper Susan Nicholson (My village in Bulgaria)

Pipe Major John MacKenzie, 72nd Highlanders Sofronievo (Sofronievo, Vratsa)



CANADA

Pipe Sergeant Jack Lee of Simon Fraser University Pipe Band – (British Columbia)

Piper Bruce Gandy, 78th Highlanders Halifax Citadel Pipe Band – (Dartmouth, Nova Scotia)

Ottawa Caledonian Pipes & Drums (Ottawa)

Pipe Major Robert McCarthy

Pipe Sergeant Jamie Letourneau



Ottawa Caledonian Pipes & Drums.
Piper & Drummer Zoe and Oceanne Gracovetsky.

Pipes & Drums - Roll of Honour

Piper Alysha Desrochers
Piper Thomas Rozon
Piper Ian Wyllie
Piper Sophia Oueja
Piper Noah Grew
Piper Marie-Helene Briere
Piper Giulia Calvano
Piper Zoe Gracovetsky
Piper Derek Haines
Piper Noah Yateman
Piper Kevin Murison
Piper Maia Gracovetzky
Piper Emily Dessureau
Piper Olivier Corbeil
Piper Felix Mongeon
Piper Alex Schnupp
Piper Chris Howard
Piper Justin Berube
Drum Major Darryl Lim
Drum Sergeant/Lead Drummer Allan McCarthy
Drummer Cameron Aldous
Drummer Francis Mcardle
Drummer Ray Desrochers
Drummer Marc Rozon
Drummer Dominique Moreau
Drummer Nate Mears
Drummer Owen Yateman
Drummer Connor Casey
Drummer Felicity Borgal
Drummer Sofia Calvano
Drummer Jean-Marc Schnupp
Drummer Jonathan French
Drummer Paul Fohr
Drummer Oceanne Gracovetsky

Royal Canadian Legion 63 Pipes and Drums Band

Pipe Major Brad Fenty
Piper Ron McDougall
Piper Max Redekop
Piper Glen Douglas
Piper Luke Douglas

Piper Murray Taylor
Piper Paige Knisley
Piper Adam Greuel
Piper Grayson Ross
Piper Zoe Gustafson Klassen
Piper Callie Wilk
Piper Alan Cole
Drummer Aaron Vopni
Drummer Bob Kenny
Drummer Colin Phippard
Drummer Wayne Briant
Drummer Mitch Bone
Drummer Dan Knisley
Drummer Amber Cole
Drummer Ken Martin
Drummer Jayna Munson
Drummer Olivia Guselle
Drummer Katrina Walls
Drummer Dean Mallany

Prince Albert Highlanders Pipes & Drums (Ottawa)

Pipe Major Dave Monette
Pipe Sergeant Michael McLaughlan
Piper Garry Greenshields
Piper Kim Bradley
Piper Dave Hjertaas
Drum Major Derek Sinclair
Drummer Kim Page
Drummer Roger Page

Piper Ewan Ferrier, Calgary & District Pipe Band Society (City of Calgary, Alberta)
Piper Jessie Hendrigan (Drayton Valley, Alberta)
Piper James Haslip, Damh Cabrach Piping (Edmonton, Alberta)
Piper Hon. Timothy Ray (Comox Valley, British Columbia)
Piper Gordon MacRae, BCPA (Maple Ridge, British Columbia)
Piper Stephen Kelly, 443 Squadron RCAF (Victoria, British Columbia)
Piper Craig Wight, RCMP Pipes and Drums New Brunswick (Moncton, New Brunswick)
Piper Frank Anderson (Kingston, Nova Scotia)
Piper Rory MacKinnon, Clans of Tecumseth (Alliston, Ontario)
Piper Matthew Wilson, 163 pipes and drums Hamilton (Ancaster, Ontario)

Pipes & Drums - Roll of Honour

Piper John O hara, Air Force City Pipe Band (Cobourg, Ontario)
Piper Ken Maher, Beinn Gorm Highlanders (Collingwood, Ontario)
Piper Celia Carrothers, Forest Legion Pipe Band (Forest, Ontario)
Piper Lynda Mackay, Strathnaver (Hamilton, Ontario)
Piper Douglas Green, With PWOR Pipes and Drums or as an Individual Piper (Kingston, Ontario)
Piper Doug Vince, Be.642 Legion Chatham Pipes & Drums (Louisville, Kent County, Ontario)
Piper Robert Sanders, North Bay Pipes and Drums (North Bay, Ontario)
Piper Graham Stark, Mariposa Pipes and Drums (Orillia, Ontario)

Sons of Scotland Pipe Band

Piper Graham Strachan, Sons of Scotland (Ottawa, Ontario)
Piper Bethany Bisailion, Sons of Scotland PB (Ottawa, Ontario)

Piper Brad Hampson, RCMP Pipes & Drums, National Division (Ottawa, Ontario)
Piper Christopher MacDougald, Pipes and drums of Canada/ McLarens Pipes and Drums
Warton Ont. (Shallow Lake, Ontario)
Piper Susan Ross (Stirling, Ontario)
Piper Alan Morley (Sudbury, Ontario)

Piper Joanne Robilliard, London City Pipes and Drums (Thorndale, Ontario)
Piper Scott McNeil, Ontario Correctional Services (Tiny, Ontario)
Piper Lachlann Bisailion, Royal Canadian Mounted Police C Division (Montreal, Quebec)
Piper David Mclean, Grande Prairie Pipes and Drums (Grande Prairie, Alberta)

Bridge City Highlanders Pipes and Drums (Lethbridge, Alberta)

Piper Colin McNiven
Piper Bruce Mason

Piper James Johnston (St Albert, Alberta)
Piper John Alexander (Coombs, British Columbia)
Piper Beverly Perron (Notre-Dame-De-La-Salette, Qubec)
Piper Matt Plant, Callander Legion Pipe Band (Callander, Ontario)
Piper Ian Carruthers (Fonthill, Ontario)

Piper Lynda Lyon-Walls, Battleford Legion #9 Pipes and Drums (Battleford, Saskatchewan)
Piper Ian Rennie, Northwest Territorial Pipe Band (Yellowknife, Northwest Territories)
Piper Ann Quan (Ilderton, Ontario)
Piper Brad Heath, Northwest Territories Pipe Band (City of Yellowknife, Northwest Territories)



DENMARK

Piper John Kreiner (Præstø, Zealand)



FRANCE

Piper Michel Bellebon de La Tibouvais (Quédillac, Brittany)
Piper Jean Lhuillery (Beaumontois en Périgord, Dordogne)
Piper Francois Gay, Askol Ha Brug Pipe Band (la Chapelle-sur-Erdre, Loire-Atlantique)
Piper Anne Lore, Bagad Saint-Nazaire (St Nazaire, Pays de la Loire)
Piper William Cotet, bagad Pariz (Chaville, Île de France)
Piper Yves Tyson, Lorient pipe band Brittany (Lassay sur Croisne, Center France)



THE GAMBIA

Piper Stefan Jakubowski, Gambia Police (Kotu, Kombo)



Glen Regnitz Pipe Band, Germany.

Pipes & Drums - Roll of Honour



GERMANY
Bavaria, Forcheim
Glen Regnitz Pipe Band
Pipe Major Horst Blank

Regimental Pipe Major Dominic Murphy (RTD)

Piper Wolfgang Baron
Piper Micheala Bezold
Piper Dirk Brix
Piper Sascha Bruck
Piper Gudrun Einwich
Piper Detlef Purucker
Piper Ron Rockholt
Piper Dieter Roesner
Piper Jim Shaffar
Piper Michael Vogt
Piper Olaf Wolter

Drummer Astrid Ebenau-Eggers
Drummer Andrea Koschig
Drummer Thomas Meier
Drummer Elysabeth Murphy
Drummer Jutta Rösner

Pipe Sergeant Dominic Murphy, The Glen Regnitz Pipeband (Nurnberg, Bavaria)

Piper Petra Lage (BREMERHAVEN, Northern Germany)

Piper Sean Kerr (Liesenich, Rheinland-pfalz)

Piper Christine Hanisch (Troisdorf, Rhein-Sieg-Kreis)

Piper Dagmar Pesta, The Owl Town Pipe & Drum Band Peine (Sickte, Germany)



GIBRALTAR
Piper Davie Moir, Royal Engineers (Gibraltar, Gibraltar)



HAWAII
Celtic Pipes & Drums of Hawaii

Pipe Major Larry Coleman. Pipe Major Dan Quinn.
Pipe Sergeant Tina Yap. Pipe Corporal Patrick Roberts.
Piper Lola Colombe. Piper Chuck Jamison.
Piper Greg Kim. Piper Joe Kindrich.
Piper Anne Kwiatkowski. Piper Howard Lavy.
Piper Jodi Matsuura Eaves. Piper Alan Miyamura.
Piper Hardy Spoehr. Piper Frank Talamantes.
Piper Karen Thompson. Piper Scott Walton.
Piper Pomaikai Wee. Piper Masa Yamaguchi.
Piper & Trumpetor Warren Cone.
Drum Major Joe Miller. Drum Sergeant Tracy Burnham.
Drummer Matthew Bauer. Drummer Lisa Gomes.
Drummer Elizabeth MacNeill. Drummer Kristen McNab.
Drummer Primasita Menor. Drummer Alf Schneider.



HONG KONG
Piper Fred Kew (Hong Kong)



MALAYSIA
Piper Alisdair MacRae, Kuala Lumpur Pipe Band – (Kuala Lumpur)



MALTA
Piper Gill Cairns (Tal-Pietà, Valletta)

Pipes & Drums - Roll of Honour

Pipe Major Tony Reis said, "The Autshumato Anti-Aircraft Regiment Pipes & Drums will be extremely proud to be performing Diu Regnare from the top of Table Mountain, Cape Town, South Africa, as our tribute to Her Majesty The Queen, in recognition of her 70 years of selfless dedication to the Commonwealth."



Autshumato Anti-Aircraft Regiment Pipes & Drums, South Africa. Photograph by Tyler Williams.

Pipes & Drums - Roll of Honour



MEXICO

Piper Diego Barquet (Mexico City)



NETHERLANDS

Piper Gerrit Krist, Clan Hay Pipe Band ('s-Heerenhoek, Zeeland)



NEW ZEALAND

Pipe Major Alasdair MacKenzie, City of Invercargill Highland Pipe Band – Invercargill)
Piper Matt Fraser – (Auckland)

Piper Terrence Smith, Royal New Zealand Navy Pipes And Drums (Auckland, Auckland)
Piper Kerry Marshall, Napier Pipe Band (Napier, Hawke's Bay).
Piper Dylan Jones, Kapiti Coast Pipes and Drums (Waikanae, Kapiti Coast)
Piper Sally Craik (Dunedin, Otago)

Piper Bryan Mitchell, Cambridge & Districts Pipe Band (Cambridge, Waipa District)
Piper Alice Robinson (Lower Hutt, Wellington)
Piper Helen Capes, New Zealand Northumbrian Pipers Society (Maraekakaho, Hawkes Bay)
Piper David Barnard, City of Wellington Pipe Band (Wellington)
Pipe Major Jim Farley, Pipes & Drums of Palmerston North & Districts (Palmerston North, Manawatu)

Wairarapa Fern and Thistle Pipe Band (Masterton, Wellington)

Piper Ian Macdonald, Piper Hunter Nielsen



NIGERIA

Piper Chukwu Oba, Scottishpower Pipe Band Nigeria, Bagpipe Music society of Nigeria (Karu LGA, Abuja)



PARAGUAY

Piper Renaud Olgati (Asunción)



PERU

Piper Alfonso Vignes-Eguren, City of Arequipa Pipe Band (Arequipa)



SOUTH AFRICA

Autshumato Anti-Aircraft Regiment Pipes & Drums

Pipe Major Tony Reis. Pipe Sergeant Mogamat Opperman
Piper Terence Hutton. Piper Michael Leighton. Piper Emlyn Madziwa. Piper Emily Craven
Piper Kuhle Mankayi. Piper Luke Marais. Piper Neil Horn. Piper Anton van der Poel
Piper Wayne Mitchell. Piper James Mitchell
Drummers: Thabiso Teesow, Lesley Reis, Zhaheed Smith, Melanie Tafila, Mivuyo Khete,
Mihlali Nguzo, Maaajidah Opperman, Theo Caesar, Eugene Trofimczyk,
Brogan Reis, John Van Niekerk, Ronnie Masenda

Piper Alan Munro, Scottish Piping Society of South Africa (San Sereno Retirement Village, Johannesburg)
Piper Capt. Will Carter JCD KLJ (Cape Town, Western Cape)
Piper Mark Anthony Wilson, Cape Town Highlanders (Cape Town, Western Cape)
Piper Lucas Visagie (Paarl, Western Cape)
Piper Paul Louw, African Skye Pipe Band (Johannesburg, Gauteng)
Piper Alan Munro, Scottish Piping Society of South Africa (Johannesburg, Gauteng)
Piper Rory Mackenzie, Pietermaritzburg Caledonian Pipe Band (Hilton, KwaZulu-Natal)
Piper Caireen Alston, Nelson Mandela Artillery Pipes And Drums (Cape Town, Western Cape)



SWITZERLAND

Piper Damien Bell, Scotch Watch Pipes & Drums (Seelikon Bade, Zug)

Pipes & Drums - Roll of Honour



THAILAND

Piper Keith Walker, The British Club Bangkok Pipe Band (Bangkok)



UNITED STATES OF AMERICA

Piper Jeff Simmons, Contractor (Tucson, Arizona)

Piper Tammy Simmons (Tucson, Arizona)

Piper Jason Gunn, Universal Bagpipes (St Joe, Arkansas)

Palm Springs Air Museum Pipe Band (Palm Springs, California)

Pipe Major Robert Heggie

Pipe Sergeant Shaun Griffith

Piper Graham Bailey

Piper Len Box

Piper Joe Branston

Piper Daniel Butchard

Piper Harold Butchard

Piper Rod Cribbes

Piper Joel Daniel

Piper Mike Fitak

Piper Jeff Geraci

Piper Jack Grant

Piper Colin Grinstead

Piper Jim MacKenzie

Piper Don MacPherson

Piper Jim McKnight

Piper Jon McLennan

Piper Mel Miller

Piper Bill Partridge

Piper John Ralston

Piper Tom Skinner

Piper Maureen (Mo) Soichuk

Piper Bill Tracey

Piper Ken Wright

Piper Richard Young

Drum Major Pierre McIntyre

Drum Sergeant Malcolm Willis

Drummer Thad Ball

Drummer Christi Bennett

Drummer Fabian Hurtado

Drummer Rusty King

Drummer Lavon Marie

Drummer Pamela McIntyre

Drummer Toner Nailen

Drummer Tony Parise

Drummer Marty Stacksteder

Drummer Trevor Uprichard

Piper Dr. Gary Dickey (Westlake Village, Ventura County, California)

Piper Kenneth Feighner, Colorado Irish Pipe Band (Berthoud, Colorado)

Saint Andrew's Pipe Band of Miami (Miami, Florida)

Piper Nigel MacDonald

Piper Barbara Wach

Piper Michael Vazzana, McGuire's Irish Pub Pipe Band (Pensacola Beach, Florida)

Piper Richard Smith, Appalachian Saint Andrew's Pipes and Drums (Blairsville, Georgia)

Piper Dennis Duncan, Marietta Piper (Marietta, Georgia)

Pipe Major Kim Greeley, Celtic Kula Pipe Band of Hawaii'i (Honolulu, Hawaii'i)

Piper Jack Lewis, Danville Pipe Band (now defunct) (Mount Vernon, Kentucky)

Piper David Cormalleth, ChicagoBagpiper.com//Bagpipers of the World United (Lake Forest, Lake County, Illinois)

Piper Rob Haskell (Peabody, Massachusetts)

Piper Frederick Benda, Springfield Kiltie Pipe Band, Springfield Massachusetts, United States (Westfield, Massachusetts)

Piper Dana Deweese, Solo (Jefferson City, Missouri)

Piper Brian J. Gibney (Bridgewater, New Jersey)

Piper Sara Hufford, Order of the Thistle Pipe Band (Santa Fe, New Mexico)

Piper Kathleen Wright (North Kingsville, Ohio)

Piper Scott McKinley, Oklahoma State University Pipes and Drums (Stillwater, Oklahoma)

Piper Michael Hubbard, Clan Macleay Pipe Band (Salem, Oregon)

Piper Jean Lickun (Lords Valley, Pike County, Pennsylvania)

Piper Edwin Gonzalez, VMHG Piper (Sumner, Pierce Washington state)

Piper Molly Navarro-Skinner, The Jefferson Pipe Band (Redding, Shasta County, CA)

Piper Matthew Reeder, City of Chattanooga Pipe Band (Chattanooga, Tennessee)

Pipes & Drums - Roll of Honour

Piper Kelly Shipe, A HARP AND BAGPIPE FOR ALL OCCASIONS (Gatlinburg, Tennessee)
Piper Laurence Ching, Houston Highlanders Pipes and Drums (Alvin, Texas)
Piper Adam Wilcox (Amarillo, Texas)
Piper Matt Willis, Metroplex United Pipe Band (Carrollton, Texas)
Piper Charlie Nevegold, Sherman Fire-Rescue Pipe Band (Ector, Texas)
Piper Colleen Steblein, North Texas Caledonian Pipes and Drums (Ft. Worth, Texas)
Piper Brenton Scharbor, Allegro Pearland Academy of Music (Pearland, Texas)
Piper Paul Watson (Tyler, Texas)
Piper Hunter Nichols (Whitewright, Texas)
Piper Chris Dries (Mt. Pleasant, Utah)
Piper Anne L Storms (Salt Lake City, Utah)
Piper Alan Erdmann, Salt Lake Scots (Springville, Utah)
Piper Victoria MacKenzie, Fort Vancouver Pipe Band (Vancouver, Washington)
Piper Michael Grest, Atlanta Pipe Band (Auburn, Georgia)
Piper Colin Gavin, Firefighters Highland Guard of Naperville (Naperville, IL)
Piper Douglas Walton (Marquette, Michigan)
Piper Tyler Johnson, Wasatch and District Pipe Band (Kaysville, Utah)
Piper Tim Riddle (Edgewood, WA)
Piper Robert J McFarland DDS (City of Boise, Ada County, State of Idaho)
Piper Bob McFarland, Northumbrian Small Pipes (Boise, Idaho)
Piper Frank Bonneau, Piedmont Pipers (Portland, Oregon)
Piper Isaac T. Benda, Springfield Kiltie Pipe Band (City called Adams, Massachusetts)
Piper Charles Martin, Pipes & Drums of CAL FIRE L2881 (Ukiah, California)
Piper Daniel Johnson (Louisville, Kentucky)
Piper Jim Roberts, Tidewater Pipes & Drums (Williamsburg, Virginia)
Piper Baxter Holland, (Rutland, Vermont)
Piper Neil Keppie, Saint Andrew's Pipe Band of Miami (Miami, Florida)
Piper Peter Rolstad, (Bellingham, Washington)
Piper MSG (R) Mace Marti, Bushwackerbagpiper (Cheyenne, Laramie County, Wyoming)
Piper Colonel Milan Kobulnicky, Williamsburg Pipes and Drums (Williamsburg, Virginia)
Piper Andrew Nowaczyk (Poulsbo, Washington)
Piper Steven Lemieux (Augusta, Maine)
Piper Cathleen Nixon, North American Academy of Piping & Drumming (Grandfather Mountain/
Linville, North Carolina)

The Jefferson Pipe Band (Redding, California)
Pipe Major Rob Jeffs
Pipe Major Bob Skinner
Drum Major Scott J. Thomsen
Piper Dave Alexander

Piper Bob Budesa
Piper John Burke
Piper Dave Cave
Piper Caleb Cox
Piper John Elliott
Piper Dan Flores
Piper Gavin Guidotti
Piper Ted Hales
Piper Paul LaPrise
Piper Linda Lindsay
Piper Nancy Menefee
Piper Becky Saraceno
Piper Don Saraceno
Piper Brian Schwartzberg
Piper Carrie Wigham
Piper/Drummer Molly Navarro-Skinner
Drummer Becky Cox
Drummer Rick Fernandez
Drummer Caleb Guidotti
Drummer Phil Guidotti
Drummer Lori Martin
Drummer Brandon Muck
Drummer Jax Robertson
Drummer Bob Smith
Drummer Darin Talcott
Drummer Ethan Walsh
Drummer Dion Williams



ZIMBABWE

Piper Callum Smith, St Johns College Pipe Band (Harare)

(more acknowledgements to follow)

Town Criers - Roll of Honour

Chelsea Pensioner Roy Palmer will undertake the Proclamation at the Royal Hospital Chelsea.



Photograph by kind permission of Liam Best, Marketing & Communications Manager, Royal Hospital Chelsea.

PROCLAMATION BY TOWN CRIERS
(Written by Jane L. Smith, Town Crier for Bognor Regis)



ENGLAND

Alan Austin - Town Crier (Attleborough, Norfolk)
Andrew Cunningham-Brown - Town Crier (Sherringham, Norfolk)
Nigel Wilkin - Town Crier (Swaffam, Norfolk)
Jason Bell - Town Crier (Holt, Norfolk)
Bob Lloyd - Town Crier (City of Norwich)
Brenda Wilson - Town Crier (Newmarket, Suffolk)
Peter Taunton - Town Crier (Newport & Stafford, Shropshire)
Jane L Smith - Town Crier (Bognor Regis, West Sussex)
Marion Lowe - Town Crier (Shipston on Stour, Warwickshire)
Paul Goring - Town Crier & Town Seargent (Rye, East Sussex)
Jon Borthwick - Town Crier (Peacehaven & Lewes, East Sussex)
Jackie Edwards - Town Crier (Kingsteignton, Devon)
Len Sweales - Town Crier (Wells, Somerset)
Ken Brightwell - Town Crier (Cheltenham, Gloucestershire)
Mike Dale - Town Crier (Lenham, Kent)
Brian Slyvester - Town Crier (Newbury, Berkshire)
Terry Hamer - Town Crier (Romsey, Hampshire)
Richard Smith BEM - Town Crier (Beaconsfield, Buckinghamshire)
Mike Wabe - Town Crier (Watton, Norfolk)
David Green - Deputy Town Crier (Plymouth and Mayflower Resurgam, Devon)
David Birdsall - Town Crier (Scarborough, North Yorkshire)
David Hinde - Town Crier (Helmsley, North Yorkshire)
Robert Speight - Town Crier (Pershore, Worcestershire)
Stephen Day - Town Crier (Kidderminster, Worcestershire)
Michael Wood - Town Crier & three times World Champion (East Riding of Yorkshire)
Les Long - Town Crier (Henley-in-Arden, Warwickshire)
John Collingwood - Town Crier (Bridport, Dorset)
Chris Smirthwaite - Town Crier (Liskeard, Cornwall)
Jon Bartholomew - Town Crier (Hastings, East Sussex)
David Bull - Town Crier (Filey, North Yorkshire)
Christopher Morgan - Town Crier (Leighton & Linslade, Bedfordshire)
Alistair Chisholm - Town Crier (Dorchester, Dorset)
Avril Hayter-Smith - Town Crier and Consort Graham Hayter-Smith (City of Ely, Cambridgeshire)
Peter Stemmer BEM - Town Crier of and Ambassador for (Darlington, County Durham)
Harry Turburville - Junior Town Crier (Thetford, Norfolk)

Town Criers - Roll of Honour

Michael Bluemel – Deputy Town Crier (Rye, East Sussex)
Paul Gough – Town Crier and Reining British Champion TC (Nuneaton & Bedworth, Warwickshire)
Terry Williams – Town Crier (Bodmin, Cornwall)
Carole Williams – Town Crier (Bishops Stortford, Hertfordshire)
Steve O'Dare – Town Crier (Skegness, Lincolnshire)
Chris Brown – Town Mayor's Sergeant & Town Crier of (Wimborne Minster & Colehill, Dorset)
Cris Brown – Town Crier (Royal Borough of Windsor & Maidenhead, Berkshire)
Andrew Stopka – Town Crier (Fairford, Gloucestershire)
Nigel Scott – Town Crier (Axbridge, Somerset)
Jacquie Hall – Town Crier (Wareham, Dorset)
Trevor P Heeks – Town Crier & Freeman (Trowbridge, Wiltshire)
Dave Parsons – Town Crier (Alton, Hampshire)
Jim Weeks – Town Crier (Bideford, Devon)
Mike Billingham – Town Crier (Medway, Kent)
John Lawrence – Town Crier (Cirencester, Gloucestershire)
John Scholey FICE – Town Crier (Royal Tunbridge Wells & Westerham, Kent)
Ray Wales – Town Crier (Downham Market, Norfolk)
Bill Lomas – Town Crier (Leek, Staffordshire)
Angela Standing – Town Crier (Arundel, West Sussex)
Bob Smytherman – Town Crier (Worthing, West Sussex)
Barry McQueen – Town Crier (Blackpool, Lancashire)
Barry Heap – Town Crier (Richmond, North Yorkshire)
Kevin Reid Griffiths – Town Crier (Skipton, North Yorkshire)
Rawden Kerr – Town Crier (Great Harwood, Lancashire)
Robert Needham BA – Town Crier (Colchester, Essex)
Martin Wood – Town Crier (Shrewsbury, Shropshire)
Les Cutts – Town Crier (Halifax, West Yorkshire)
George Carpenter – Town Crier (Wotton under Edge, Gloucestershire)
Terry Ford – Town Crier (Otley, West Yorkshire)
Mike Andrews – Town Crier (Ferndown, Dorset)
Chris Brown – Town Mayor's Dergeant & Town Crier (Wimborne Minster & Colehill, Dorset)
John Hadfield – Town Crier (Westbury, Wiltshire)
Majorie Dodds – Town Crier (Chester-le-Street, County Durham)
Roger Hewitt – Town Crier (Knaresborough, North Yorkshire)
Vic Watson – Town Crier (Huddersfield, West Yorkshire)
Lionel Knight – Town Crier (Truro, Cornwall)
Don Evans – Town Crier (Ormskirk, West Lancashire)
Geoffrey Russell – Town Crier (Market Drayton, Shropshire)
Charles Morgan – Town Crier (Bishopsteignton, Devon)
Jane Dodd – Town Crier (Chesham, Buckinghamshire)

Jason Ede – Town Crier (Newhaven, East Sussex)
Simon Bartlett – Town Crier (Bampton and Huntsham, Devon)
David Bradshaw – Town Crier (Newquay, Cornwall)
Andrew Downing – Town Crier (Stamford, Lincolnshire)
Martin Payne – Town Crier (Bungay, Suffolk)
Peter Powell – Town Crier (Lymm Cross, Cheshire)
Karen Bailey – Town Crier (Swadlincote, Derbyshire)
John Parsons – Town Crier (Macclesfield, Cheshire)
David Charles Milton – Town Crier (Watchet, Somerset)
John Griffiths – Town Crier (Sleaford, Lincolnshire)
Elizabeth Anderson-Watson – Town Crier (Barnoldswick, Lancashire)
Steven Holt – Town Crier (Morley, West Yorkshire)
David Summers – Town Crier (Mablethorpe & Sutton, Lincolnshire)
Alan Spencer – Town Crier (City of Southampton, Hampshire)
Joseph David – Town Crier (Hinkley, Leicestershire)
Roy Palmer – Town Crier (Royal Hospital Chelsea, London)
Hilary McGrath – Town Crier (Garstang, Lancashire)



*Michael Wood, Town Crier,
East Riding of Yorkshire.*

Town Criers - Roll of Honour

Michael Hickmott – Town Crier (Tenterden, Kent)
Kevin N Ward – Town Crier and Bellman (Court Leet & Court Baron of the Manor of Bromsgrove)
David Peters – Town Crier & Beadle (Guildford)
Michael Reddy – Town Crier (Warwick)
Mark Northway - Town Crier (Cromer, Norfolk)
Sharon Wilson – Town Crier (Saltburn by the Sea, North Yorkshire)
Alan Giles - Town Crier (Fowey, Cornwall)
Alan Myatt – Town Crier (Camden Market, Covent Garden, London, City and Port of Gloucester)
David Burrows – Town Crier (Southwold)
Chris Conlan – Town Crier (Sevenoaks, Kent)
John Bateson – Town Crier (Kendal, Cumbria)
Francesca Fitch – Town Crier (Town Square, Shefford, Bedfordshire)
Michael Eldred - Town Crier (The Swan Public House, Rayne, Essex)
David Greenway – Town Crier (Glastonbury Town Council, Somerset)
Grant Dennis – Town Crier (Porlock Parish Council, Porlock, Minehead, Somerset)
Leslie Ellis - Town Crier (Dartmouth, Devon)
Peter Dauncey – Town Crier (Melksham Town Council, Wiltshire)



SCOTLAND

Councillor David Coleman & Bugler Mr Michael Hunter (Fife)



WALES

Susie Blower – Town Crier (Montgomery, Powys, Wales)
David Salter – Town Crier (Llanfair Caereinion, Powes)
Bob Williams – Town Crier (Pontardawe, Swansea)
Janet Swindale – Town Crier (Llandrindod Wells, Powys)
Jon Wilks – Town Crier (Cowbridge, Vale of Glamorgan)



Stephen Clarke, Town Crier of NSW Central Coast, Australia, plays a fanfare on a Bugle before undertaking a Proclamation. This is most significant because at the top of the Gosford Coat of Arms there is a Cockrel standing on the bugle. Gosford is the capital of the NSW Central Coast and Stephen has been the official Town Crier there since 1990.

Town Criers - Roll of Honour



NORTHERN IRELAND

John Cartwright – Town Crier (Ballynahinch, County Down)
Toastmaster Gary Wilson (Enniskillen)



AUSTRALIA

Bob Townshend – Town Crier (Southern Downs Regional Council, Queensland, Australia)
Stephen Clarke OAM – Town Crier (Central Coast Council, New South Wales, Australia)
Gavin Barker – Town Crier (Moorabool Shire, Australia)
Tom Benny – Honary Town Crier (City of Salisbury, South Australia)
Judith Cambell – Town Crier (Campaspe Shire, Victoria & Murray River Council, New South Wales, Australia)
Ken Ashford – Town Crier (Fraser Coast Regional Council, Australia)
Joseph McGrail-Bateup – Town Crier (Queanbeyan, Australia)
Alan Moyse – Town Crier (Bega Valley Shire, Australia)
Bill Wallace – Town Crier (Municipality of Lane Cove, New South Wales, Australia)
James Carter – Town Crier (Strathbogie Shire, Victoria, Australia)
Frederick Krebs – Town Crier (City of Redcliff, Queensland, Australia)
Timothy Keith – Town Crier (Parkes Shire, New South Wales, Australia)
Graham Keating – Town Crier (City of Sydney, New South Wales, Australia)
Mark Overell – Town Crier (City of Ipswich, Queensland, Australia)
Syd Norman – Town Crier (Scenic Rim Regional Council, Australia)
Philip Greenbank, President, Australasian Guide of Town Criers & – Town Crier (Hepburn Shire, Victoria, Australia)
Mike Willett – Town Crier (Victor Harbour, Australia)
Kyle Frederick Sturgess – Town Crier (Bland Shire, New South Wales, Australia)
Kevin Howarth – Town Crier (Toowoomba Regional Council, Queensland, Australia)



Patrick M Sirianni, Town Crier, City of Niagara Falls, Ontario, Canada. Patrick will be undertaking this unique Tribute To Her Majesty The Queen from the world famous Horseshoe Falls, also know as the Canadian Falls on the Niagara River along the Canada-United States Border.



BERMUDA

A David Frith JP – Town Crier (St George's, Bermuda)
Ed Christopher – Town Crier (City of Hamilton, Bermuda)

Town Criers - Roll of Honour



CANADA

Ken Templeman – Town Crier (Collingwood, Canada)
Tom Kerr – Town Crier (Municipality of Trent Hills, Canada)
Bruce C Kruger MB SBTJ – Town Crier (Bracebridge, Ontario, Canada)
Jenn Olivero – Town Crier (Hanover, Canada) & Secretary to the Ontario Guild of Town Criers
David McKee – Town Crier (Brantford, Canada)
Gary Long – Town Crier (Canning & Berwick, Nova Scotia, Canada)
Athol Hart – Town Crier (Newmarket, Ontario, Canada)
Stephen J Travers – Town Crier (City of Barrie, Ontario, Canada)
John Webster – Town Crier (City of Markham & Towns of Aurora, East Gwillimbury & Cary, Canada)
David Vollick – Town Crier (City of Burlington, Ontario, Canada)
Tom Pekar – Town Crier (Port Colborne, Ontario, Canada)
Wes Libbey – Town Crier (Stormont, Dundas & Glengary Historical Society, Cornwall, Ontario, Canada)
Patrick M Sirianni – Town Crier (City of Niagara Falls, Ontario, Canada)
Liam Cragg – Town Crier (Township Alnwick / Haldimand, Ontario, Canada)
Daniel Richer Dit Lafleche – Town Crier (Ottawa, Canada)
Brian Mabee – Town Crier (1000 Islands known as Gananoque, Ontario, Canada)
James Stewart – Town Crier (New Glasgow, Nova Scotia, Canada)
Larry Davis – Town Crier (Brant County, Ontario, Canada)



HAWAII

Hardy Spoehr – Town Crier (Honolulu, Hawaii). Hardy will be undertaking the 'Cry' from the steps of the 'IOLANI PALACE, the home of the Kings and Queens of Hawaii



NEW ZEALAND

James Donald - Town Crier (Howick, New Zealand)
Lyal Brenton JP - Town Crier (Palmerston North, New Zealand)
Paddy-Ann Pemberton – Town Crier (Central Otago, New Zealand)
Lynley McKerrow – Town Crier (Southland Council, New Zealand)

(more acknowledgements to follow)

The Queen's Platinum Jubilee Beacons

Partner



**"L Holding Ltd is delighted and extremely proud,
to be a Partner of The Queen's Platinum Jubilee Beacons
being lit on 2nd June 2022, in celebration of
The Queen's Platinum Jubilee."**

Mr WeeKuang Tai MLJ RNA MNA.

The Queen's Platinum Jubilee Beacons

Supporters

THE FOUR PEAKS WALKING WITH THE WOUNDED



ENGLAND
Scafell Pike



SCOTLAND
Ben Nevis



WALES
Mount Snowdon



NORTHERN IRELAND
Slieve Donard



The Queen's Platinum Jubilee Beacons

Supporters



Local
BBC Radio

BBC RADIO
Berkshire

BBC RADIO
Bristol

BBC RADIO
Cambridgeshire

BBC RADIO
Cornwall

BBC RADIO
Cumbria

BBC RADIO
CWR

BBC RADIO
Derby

BBC RADIO
Devon

BBC
Essex

BBC RADIO
Gloucestershire

BBC RADIO
Guernsey

The Queen's Platinum Jubilee Beacons

Supporters

BBC RADIO
Hereford &
Worcester

BBC RADIO
Humberside

BBC RADIO
Jersey

BBC RADIO
Kent

BBC RADIO
Lancashire

BBC RADIO
Leeds

BBC RADIO
Leicester

BBC RADIO
Lincolnshire

BBC RADIO
London

BBC RADIO
Manchester

BBC RADIO
Merseyside

BBC RADIO
Newcastle

BBC RADIO
Norfolk

BBC RADIO
Northampton

BBC RADIO
Nottingham

BBC RADIO
Oxford

BBC RADIO
Sheffield

BBC RADIO
Shropshire

The Queen's Platinum Jubilee Beacons

Supporters



Belfast Telegraph



The Queen's Platinum Jubilee Beacons

Supporters



Creative & Commercial



The Queen's Platinum Jubilee Beacons

Supporters



The Queen's Platinum Jubilee Beacons

Supporters



**North Staffordshire
Combined Healthcare**
NHS Trust



Pennine Care
NHS Foundation Trust



**The Royal
Orthopaedic Hospital**
NHS Foundation Trust



Stockport
NHS Foundation Trust



**Tameside and Glossop
Integrated Care**
NHS Foundation Trust



Un Llais Cymru



One Voice Wales



The Police Treatment Centres



QUEEN'S
COMMONWEALTH
TRUST

PLATINUM JUBILEE 2022



RFCA
Northern Ireland

The Queen's Platinum Jubilee Beacons

Supporters



The Queen's Platinum Jubilee Beacons

Supporters



Frontiers of the
Roman Empire
inscribed on the World
Heritage List in 2005

1900

HADRIAN'S WALL
AD122 - 2022



VisitBritain®



VisitEngland™



Bruno Peek LVO OBE OPR
Pageantmaster
The Queen's Platinum Jubilee Beacons
Telephone: + 44 (0) 7737 272 913
Email: brunopeek@mac.com

The playing of DIU REGNARE
Piper Liaisons, Piper Robert Procter & Piper Stuart Letford
Susan Osborne Msc FRSA, NHS Liaison Director
Baizhou Cai, Chinese Community Liaison (UK)

Bruno Peek LVO OBE PR, Pageantmaster
will NOT be available via email from
12noon on 30th May through to 6th June 2022
but will be contactable on + 44 (0) 7737 262 913
from 7am through to 10pm GMT.

*Front and back cover photograph:
The Coronation of Queen Elizabeth II, by Cecil Beaton. © Victoria and Albert Museum, London.
Guide designed by TMS Media +44 (0)1493 662929*



Appendix 9

Planning applications

Fy Nghyf/My Ref:
21/1595/08

EichCyf/Your Ref:

Dyddiad/Date: 09/12/2021

Gofynnwch am/Please ask for: Gareth Davies
01443 281128

DATBLYGIAD

Removal of hedgerow.

ARFAETHEDIG/PROPOSAL:

LLEOLIAD/LOCATION :

BETWEEN FIRE SERVICE HEADQUARTERS
ROUNDAABOUT AND COED ELY ROUNDAABOUT

CYF GRID/GRID REF: 302093, 185439

Appendix 10

Llanharan Community council Credit cards

Proposed limits.

The Clerk, Leigh Smith. Transaction limit £1000

Office administrator, Tina Badam. Transaction limit £500

Maintenance staff, Paul Beech. Transaction limit £500